

# Sikacryl 621 Fire+

## DECLARATION OF PERFORMANCE

### No. 79744211

1	<b>UNIQUE IDENTIFICATION CODE OF THE PRODUCT-TYPE:</b>	79744211
2	<b>INTENDED USE/S</b>	EAD 350141-00-1106:2017 Fire Stopping and Sealing Product: Linear Joint and Gap Seals
3	<b>MANUFACTURER:</b>	Sika Services AG Tüffenwies 16-22 8064 Zürich
4	<b>AUTHORISED REPRESENTATIVE:</b>	
5	<b>SYSTEM/S OF AVCP:</b>	System 1
6b	<b>EUROPEAN ASSESSMENT DOCUMENT:</b>	EAD 350141-00-1106:2017
	European Technical Assessment:	ETA-21/0889 of 2021/10/20
	Technical Assessment Body:	DBI Certification A/S
	Notified body/ies:	2531

## 7 DECLARED PERFORMANCE/S

Essential Characteristics	Performance	AVCP	Harmonised Technical Specification
Reaction to fire	D – s1, d1	System 1	EAD 350141-00- 1106:2017
Resistance to fire	Annex A	System 1	
Content, emission and/or release of dangerous substances	No performance assessed	System 1	
Water permeability	No performance assessed	System 1	
Release of dangerous substances	No performance assessed	System 1	
Mechanical resistance and stability	No performance assessed	System 1	
Resistance to impact/movement	No performance assessed	System 1	
Adhesion	No performance assessed	System 1	
Durability	Z2	System 1	
Movement capacity	No performance assessed		
Cycling of perimeter seals for curtain walls	No performance assessed		
Compression set	No performance assessed		
Linear expansion on setting	No performance assessed		
Airborne sound insulation	Rw(C;Ctr)= 62 (-1;-5) dB*	System 1	
Thermal properties	No performance assessed	System 1	
Water vapour permeability	No performance assessed	System 1	

\* At 12 mm depth

### A.1 Flexible wall constructions according to 2 1) with wall thickness of minimum 75 mm and minimum 1 x layer of 12.5 mm board per side

#### A.1.1 Linear joint seals, between head of flexible wall and soffit of concrete floor and vertical end of flexible wall and concrete wall

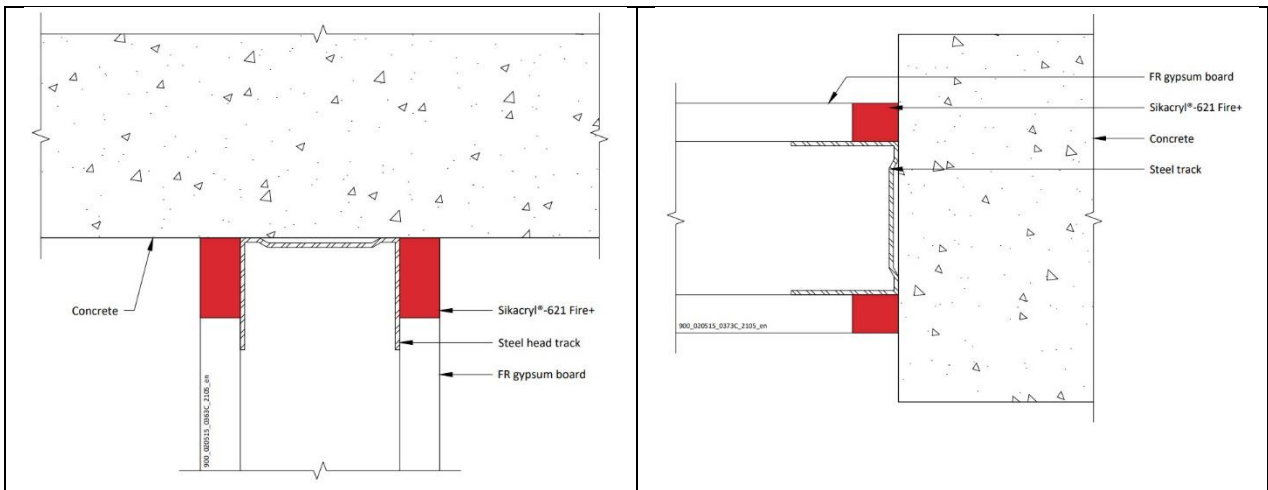
<b>Joint Seal:</b> Sikacryl-621 Fire+ to both sides of the wall, joint widths up to 30 mm
---

Construction details:	
-----------------------	--

#### Declaration of Performance

Sikacryl 621 Fire+  
79744211  
2021.10 , ver. 1  
1549

Template for translation. Only for  
internal use



**A.1.1.1**

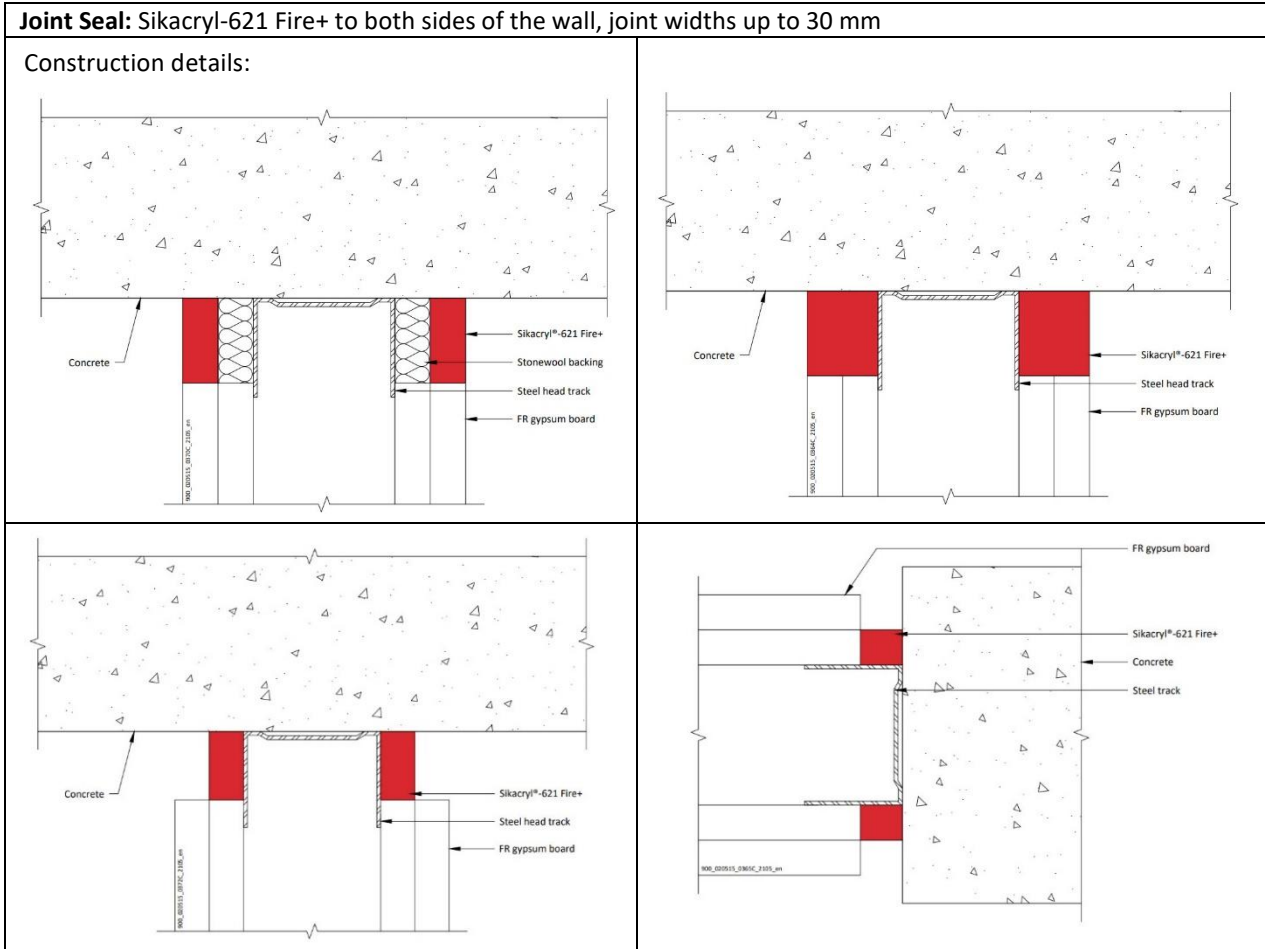
Substrate	Depth (mm)	Backing (minimum)	Classification
Plasterboard/ concrete	12.5 min.	50 mm steel partition head track/ stud	E 60 – T – X – F – W 25 EI 45 – T – X – F – W 25
			E 60 – V – X – F – W 15 EI 45 – V – X – F – W 15

**Declaration of Performance**  
 Sikacryl 621 Fire+  
 79744211  
 2021.10 , ver. 1  
 1549

Template for translation. Only for  
 internal use

**A.2 Flexible wall constructions according to 1.2.1 with wall thickness of minimum 100 mm and minimum 2 x layer of 12.5 mm board per side**

**A.2.1 Linear joint seals, between head of flexible wall and soffit of concrete floor and vertical end of flexible wall and concrete wall**



**A.2.1.1**

Substrate	Depth (mm)	Backing (minimum)	Classification
Plasterboard/ concrete	12.5 min.	12.5 mm Stone wool 35 kg/m <sup>3</sup> plus 50 mm steel partition head track	EI 120 – T – X – F – W 30
		20 mm Stone wool 35 kg/m <sup>3</sup>	EI 120 – V – X – F – W 30
	25 min.	50 mm steel partition head track /stud	EI 120 – T – X – F – W 30
	12.5 min.		EI 90 – T – X – F – W 25
			EI 90 – V – X – F – W 15

**Declaration of Performance**

Sikacryl 621 Fire+  
79744211  
2021.10 , ver. 1  
1549

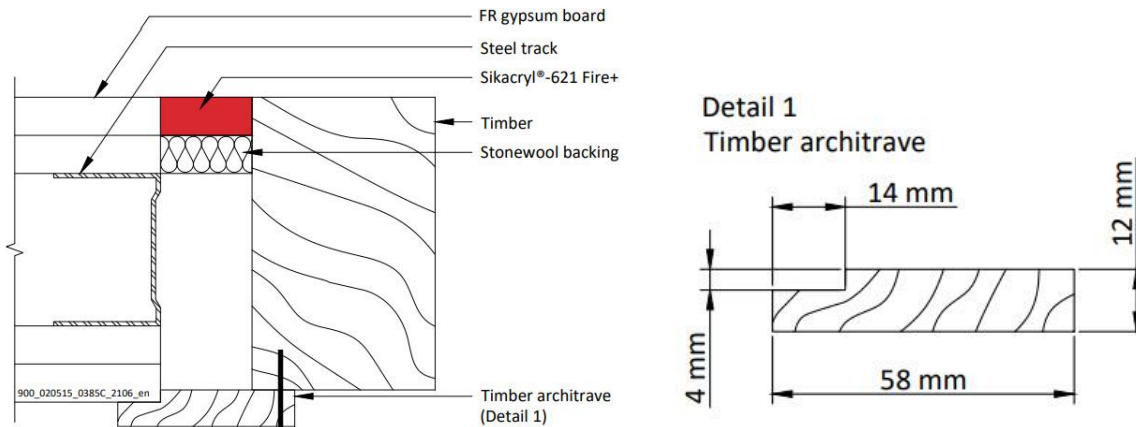
Template for translation. Only for internal use

## A.2.2 Flexible or rigid wall construction with wall thickness of minimum 100 mm and timber substrates and architraves

### A.2.2.1 Linear joint or gap seals, vertically or horizontal orientated with backing materials

**Joint Seal:** Sikacryl-621 Fire+ to one side of the wall, joint widths up to 30 mm

Construction details:



### A.2.2.2

Substrate	Depth (mm)	Facing (minimum)	Backing	Classification
Flexible or rigid wall / Timber	12.5 min.	Single sided linear seals in flexible or rigid walls against wooden frames covered with architraves on the other side fixed with 25 mm steel pins at nominal 300 mm centres.	Stonewool, 12.5 mm deep min. 35 kg/m <sup>3</sup>	EI 60 – V – X – F – W 30
				EI 60 – T – X – F – W 30

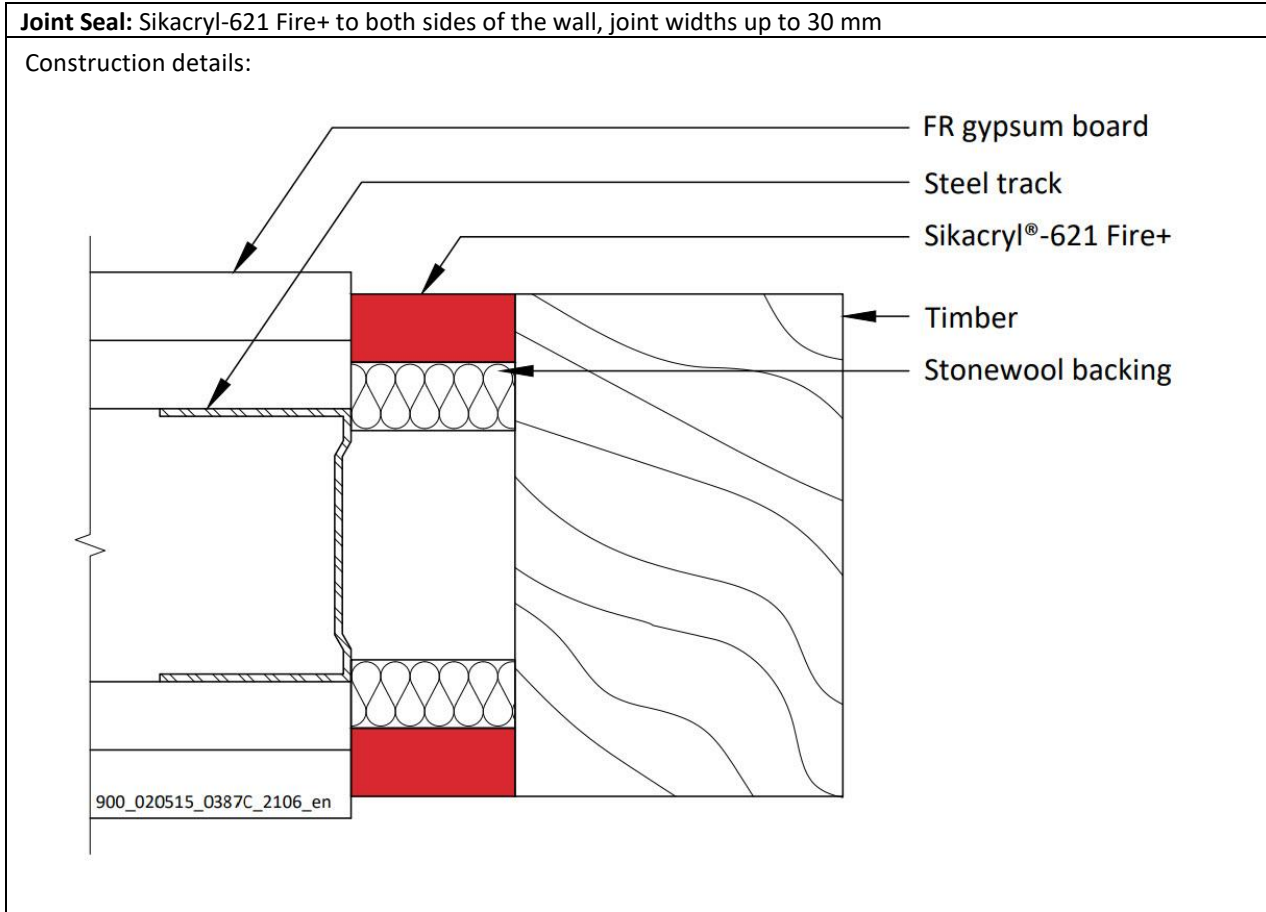
#### Declaration of Performance

Sikacryl 621 Fire+  
79744211  
2021.10 , ver. 1  
1549

Template for translation. Only for internal use

**A.2.3 Flexible or rigid wall construction with wall thickness of minimum 100 mm and timber substrates**

**A.2.3.1 Linear joint or gap seals, vertically or horizontal orientated with backing materials**



**A.2.3.2**

Substrate	Depth (mm)	Backing	Classification
Flexible or rigid wall / Timber	12.5 min.	Stonewool, 12.5 mm deep min. 35 kg/m <sup>3</sup>	E 90 – V – X – F – W 30
			EI 60 – V – X – F – W 30
			E 90 – T – X – F – W 30
			EI 60 – T – X – F – W 30

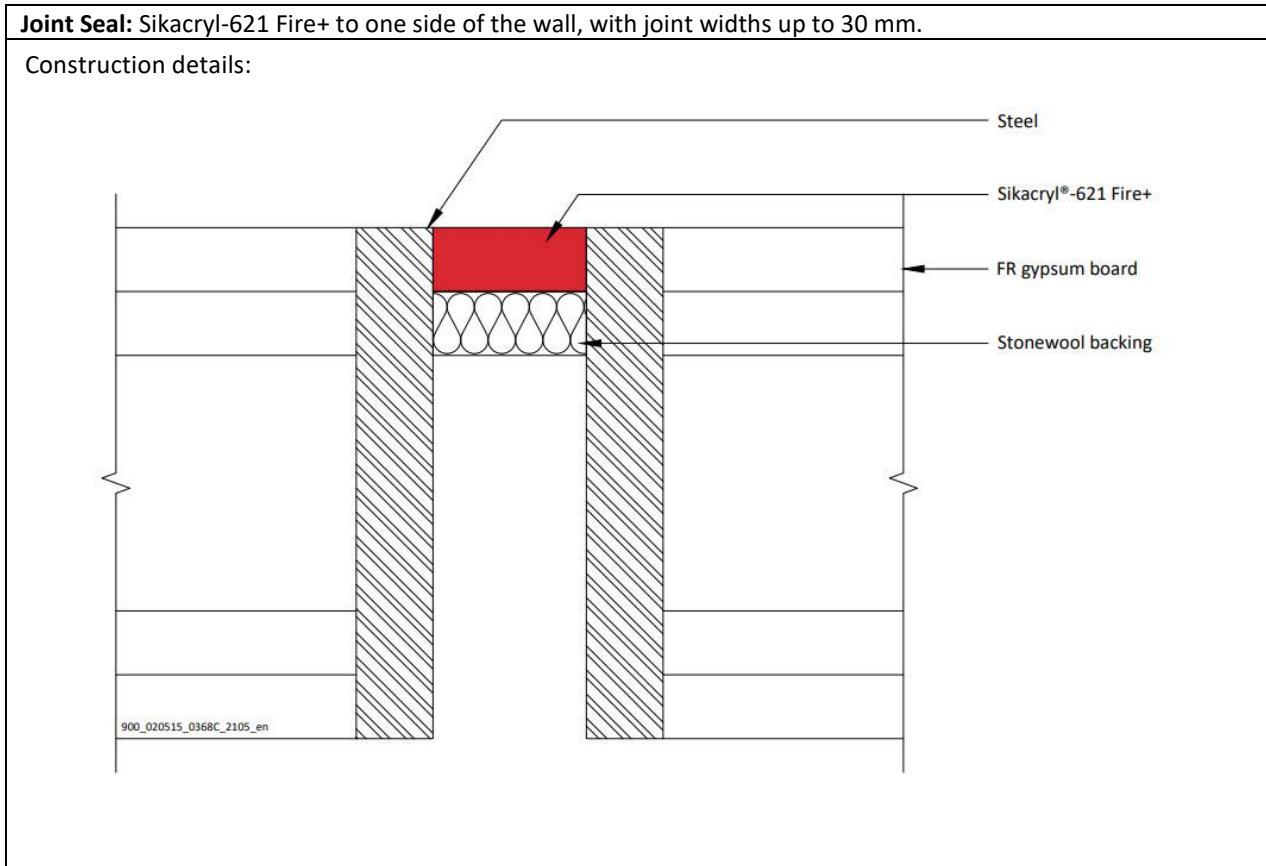
**Declaration of Performance**

Sikacryl 621 Fire+  
79744211  
2021.10 , ver. 1  
1549

Template for translation. Only for internal use

**A.2.4 Flexible or rigid wall construction with wall thickness of minimum 100 mm and steel substrates**

**A.2.4.1 Linear joint or gap seals, vertically or horizontal orientated with backing materials**



**A.2.4.2**

Substrate	Depth (mm)	Backing	Classification
Steel / steel	12.5 min.	Stonewool, 12.5 mm deep min. 35 kg/m <sup>3</sup>	E 120 – V – X – F – W 30
			EI 30 – V – X – F – W 30
			E 120 – T – X – F – W 30
			EI 30 – T – X – F – W 30

**Declaration of Performance**

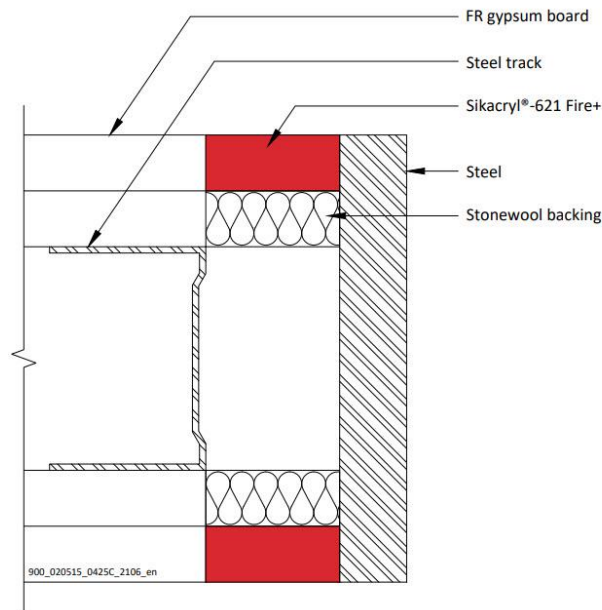
Sikacryl 621 Fire+  
79744211  
2021.10 , ver. 1  
1549

Template for translation. Only for  
internal use

## A.2.5 Linear joint or gap seals, vertically or horizontal orientated with backing materials

**Joint Seal:** Sikacryl-621 Fire+ to both sides of the wall, with joint widths up to 30 mm.

Construction details:



### A.2.5.1

Substrate	Depth (mm)	Backing	Classification
Flexible or rigid wall / Steel	12.5 min.	Stonewool, 12.5 mm deep min. 35 kg/m <sup>3</sup>	E 120 – V – X – F – W 30 <sup>1</sup> EI 30 – V – X – F – W 30 <sup>2</sup>
			E 120 – T – X – F – W 30 <sup>3</sup> EI 45 – T – X – F – W 30 <sup>4</sup>

\*Additional and for information only.

The classifications provided in Table A.2.5.1 consider the insulation performance of all components within the firestopping system as per the requirements of EN 1366-4. This includes temperature evaluation of the steel substrate.

In relation to each of the above classifications, temperatures recorded on the seal (exclusive of the supporting construction) exceeded the maximum allowable after the following times (rounded down):

<sup>1</sup> 120, <sup>2</sup> 90, <sup>3</sup> 120, <sup>4</sup> 60

### Declaration of Performance

Sikacryl 621 Fire+  
79744211  
2021.10 , ver. 1  
1549

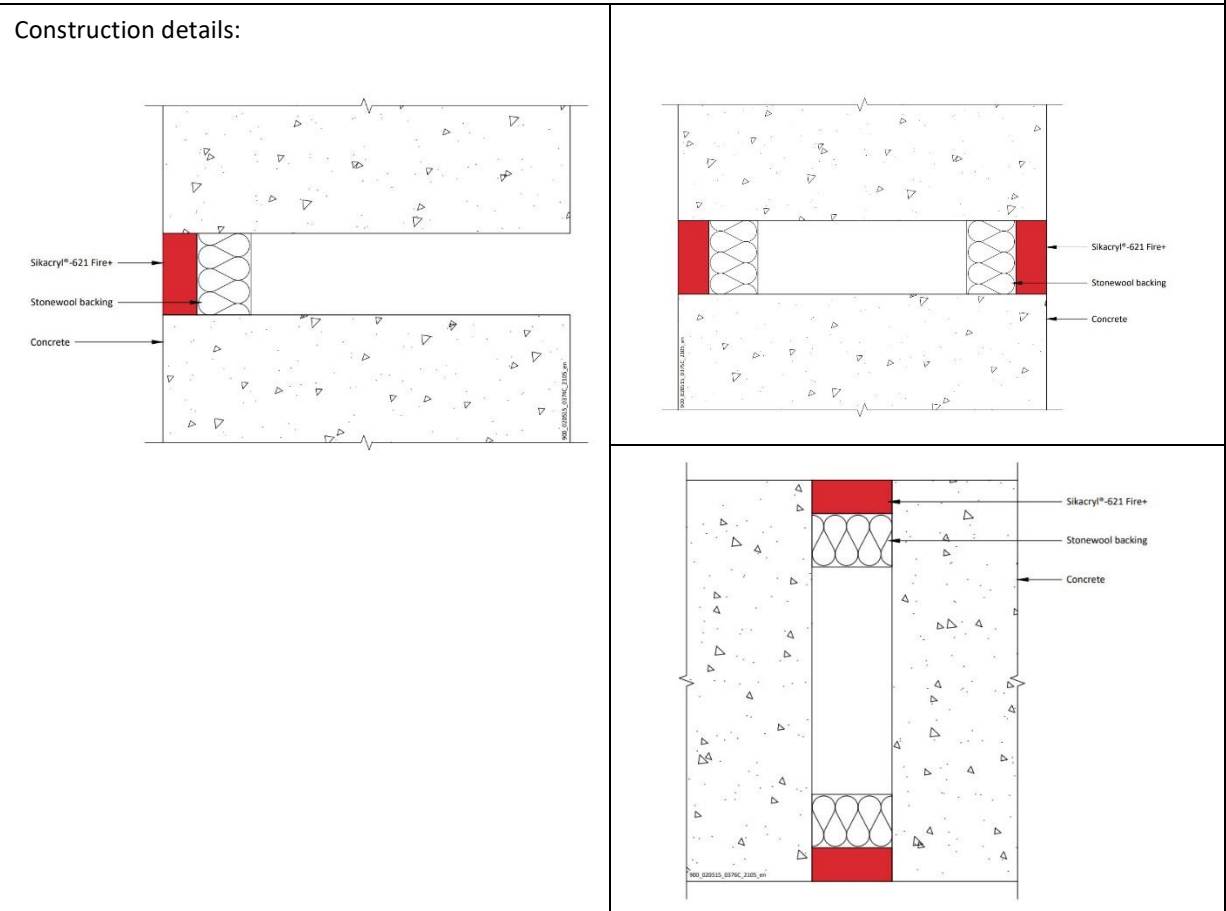
Template for translation. Only for internal use



**A.3 Rigid wall constructions according to 1.2.1 with wall thickness of minimum 150 mm**

**A.3.1 Linear joint or gap seal, between head of rigid wall and soffit of concrete floor / between rigid walls**

**Joint Seal:** Sikacryl-621 Fire+ to either side (or any position between) or both sides of the wall, joint widths up to 30 mm



**Declaration of Performance**  
 Sikacryl 621 Fire+  
 79744211  
 2021.10 , ver. 1  
 1549

Template for translation. Only for  
 internal use

**A.3.1.1**

<b>Substrate</b>	<b>Depth (mm)</b>	<b>Backing (minimum)</b>	<b>Classification</b>
masonry/ concrete	25 min. (one side)	20 mm Stone wool 40 kg/m <sup>3</sup>	<b>E 240 – T – X – F – W 30</b> <b>EI 60 – T – X – F – W 30</b>
	15 min. (both sides)		<b>EI 240 – V – X – F – W 30</b> <b>EI 240 – T – X – F – W 30</b>
	10 min. (one side)	60 mm Stone wool 33 kg/m <sup>3</sup>	<b>E 240 – T – X – F – W 50</b> <b>EI 60 – T – X – F – W 50</b> <b>EI 120 – V – X – F – W 50</b>
	25 min. (one side)	48 mm AES mineral fibre	<b>E 240 – T – X – F – W 30</b> <b>EI 120 – T – X – F – W 30</b>

**Declaration of Performance**

Sikacryl 621 Fire+  
79744211  
2021.10 , ver. 1  
1549

Template for translation. Only for  
internal use

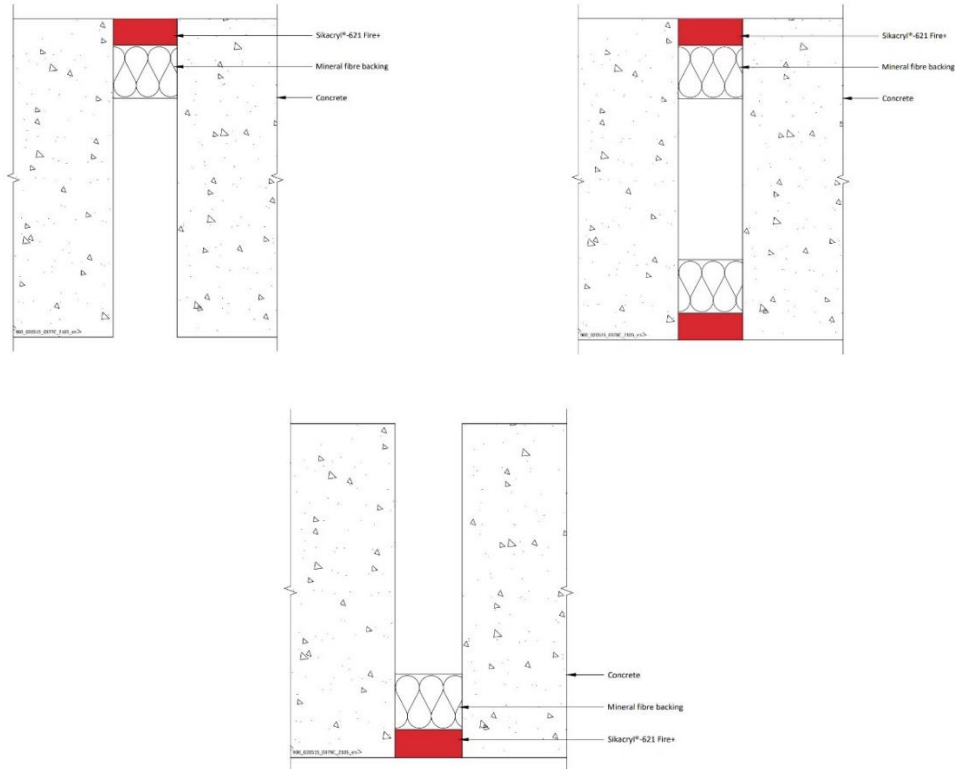
**10/27**

**A.4 Rigid floor constructions according to 1.2.1 with floor thickness of minimum 150 mm**

**A.4.1 Linear joint or gap seal, between floor slabs or between floor slab and wall with sealant to the top face of the floor only**

**Joint Seal:** Sikacryl-621 Fire+ to either side (or any position between) or both sides of the floor, joint widths up to 100 mm

Construction details:



**A.4.1.1**

Substrate	Depth (mm)	Backing (minimum)	Classification
masonry/ concrete	25 min. (any position)	25 mm AES mineral fibre	<b>E 120 – H – X – F – W 100</b>
	25 min. (top face)		<b>EI 60 – H – X – F – W 100</b>
	15 min. (both sides)	25 mm Stone wool 40 kg/m <sup>3</sup>	<b>EI 120 – H – X – F – W 100</b>
		25 mm Stone wool 140 kg/m <sup>3</sup>	<b>EI 180 – H – X – F – W 100</b>
	15 min. (both sides)	25 mm stone wool 35 kg/m <sup>3</sup> insulation	<b>EI 240 – H – X – F – W 30</b>
	10 min. (top face)	90 mm Stone wool 33 kg/m <sup>3</sup>	<b>EI 240 – H – X – F – W 100</b>

**Declaration of Performance**

Sikacryl 621 Fire+  
79744211  
2021.10 , ver. 1  
1549

Template for translation. Only for internal use

11/27

## A.4.2 Linear joint or gap seals, in or between rigid floors



### A.4.2.1

Substrate	Depth (mm)	Backing	Position	Classification
Steel/ steel or Steel/ concrete	25 min.	Stonewool, 50 mm deep min. 35 kg/m <sup>3</sup>	Top	E 240 – H – X – F – W 30 <sup>1</sup> EI 30 – H – X – F – W 30 <sup>2</sup>
	15 min.	Stonewool, 25 mm deep min. 35 kg/m <sup>3</sup>	Both	E 240 – H – X – F – W 30 <sup>3</sup> EI 45 – H – X – F – W 30 <sup>4</sup>
Aluminium / concrete	25 min.	Stonewool, 50 mm deep min. 35 kg/m <sup>3</sup>	Top	E 180 – H – X – F – W 30 <sup>5</sup> EI 20 – H – X – F – W 30 <sup>6</sup>

\*Additional and for information only.

The classifications provided in Table A.4.2.1 consider the insulation performance of all components within the firestopping system as per the requirements of EN 1366-4. This includes temperature evaluation of the steel substrate.

In relation to each of the above classifications, temperatures recorded on the seal (exclusive of the supporting construction) exceeded the maximum allowable after the following times (rounded down):

<sup>1</sup> 240, <sup>2</sup> 60, <sup>3</sup> 240, <sup>4</sup> 120, <sup>5</sup> 180, <sup>6</sup> 60

#### Declaration of Performance

Sikacryl 621 Fire+  
79744211  
2021.10 , ver. 1  
1549

Template for translation. Only for  
internal use

12/27

---

**8 APPROPRIATE TECHNICAL DOCUMENTATION AND/OR -  
SPECIFIC TECHNICAL DOCUMENTATION**

---

The performance of the product identified above is in conformity with the set of declared performance/s. This declaration of performance is issued, in accordance with Regulation (EU) No 305/2011, under the sole responsibility of the manufacturer identified above.

Signed for and on behalf of the manufacturer by:

---

Name: Anders Beier  
Function: General Manager  
At Farum on 3 May 2022



.....

Name: Stan Petersen  
Function: Head Distribution  
At Farum on 3 May 2022



.....

---


End of information as required by Regulation (EU) No 305/2011

**Declaration of Performance**  
Sikacryl 621 Fire+  
79744211  
2021.10 , ver. 1  
1549

Template for translation. Only for  
internal use

**13/27**

## FULL CE MARKING

	
21	
Sika Services AG, Zurich, Switzerland	
DoP No. 79744211	
Reaction to fire	D – s1, d1
Resistance to fire	Annex A
Durability	Z2
Airborne sound insulation	Rw(C;Ctr)= 62 (-1;-5) dB*

### Declaration of Performance

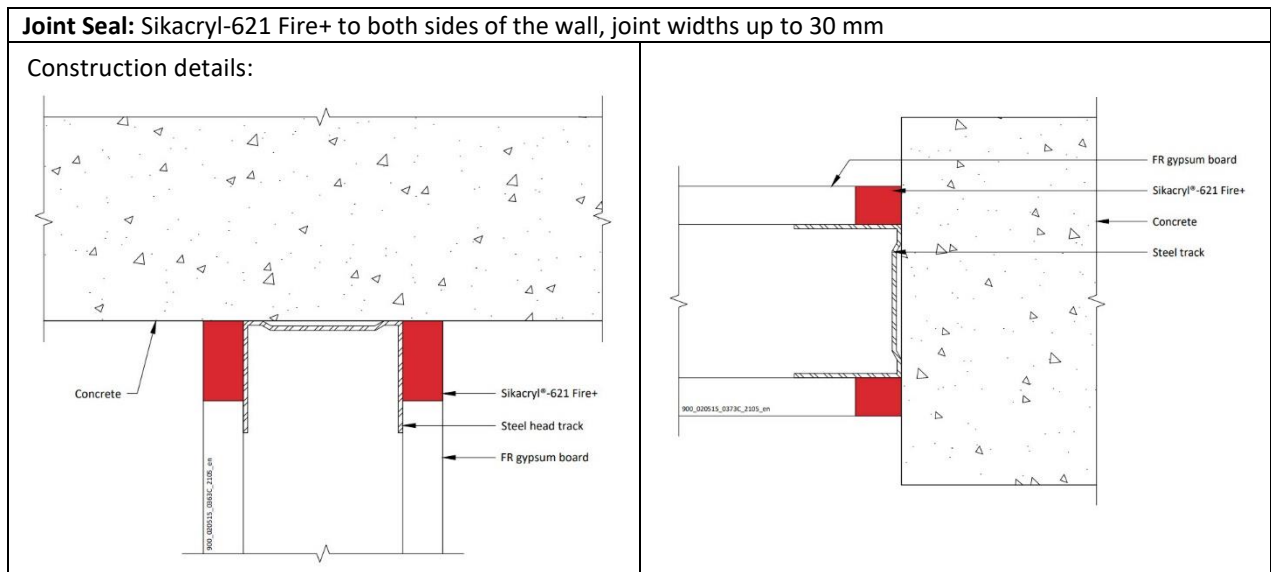
Sikacryl 621 Fire+  
79744211  
2021.10 , ver. 1  
1549

14/27

Template for translation. Only for  
internal use

**Annex A – Resistance to Fire Classification – Sikacryl-621 Fire+Flexible wall constructions according to 2 1) with wall thickness of minimum 75 mm and minimum 1 x layer of 12.5 mm board per side**

**A.1.1 Linear joint seals, between head of flexible wall and soffit of concrete floor and vertical end of flexible wall and concrete wall**



**A.1.1.1**

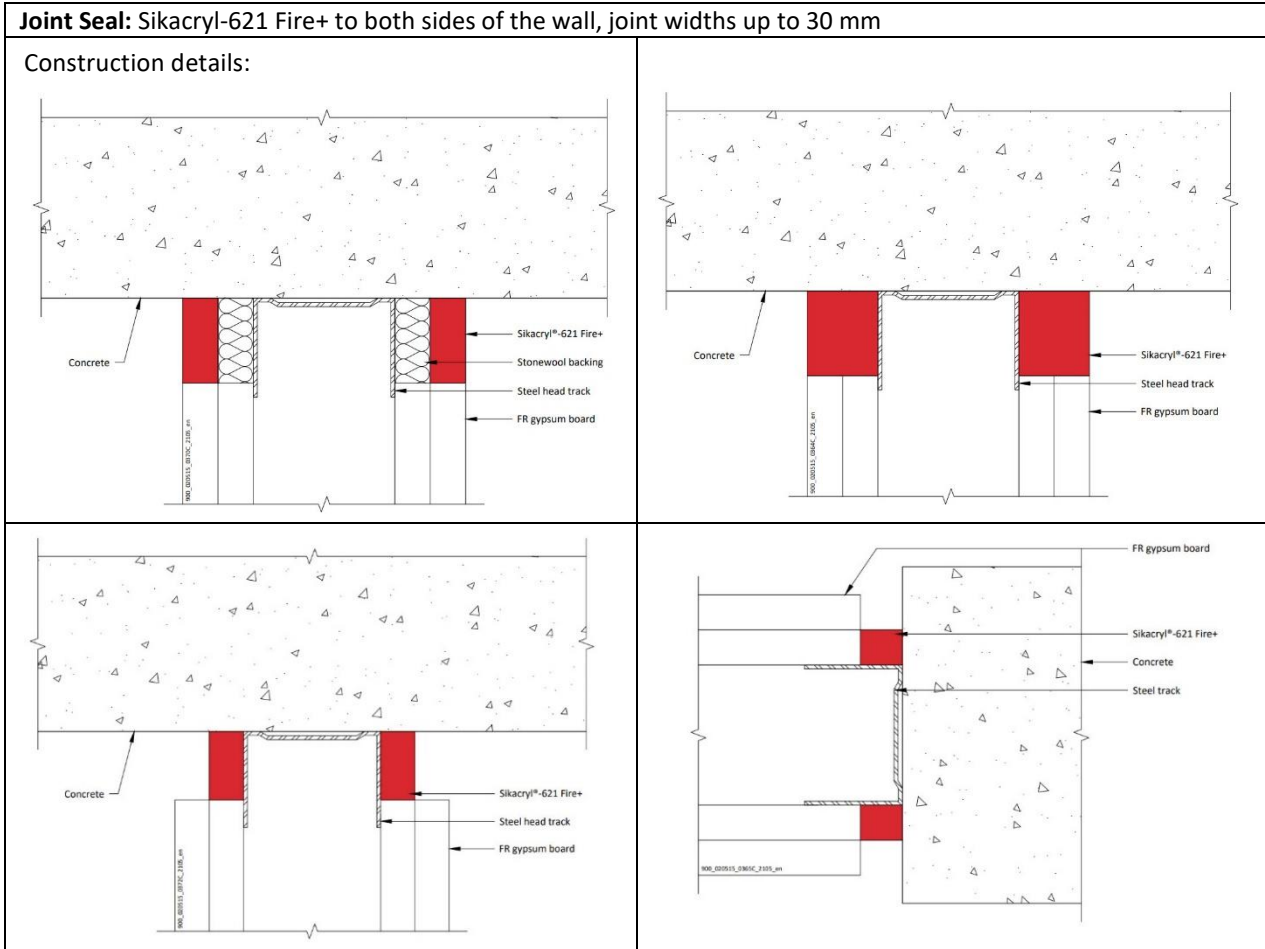
Substrate	Depth (mm)	Backing (minimum)	Classification
Plasterboard/ concrete	12.5 min.	50 mm steel partition head track/ stud	E 60 – T – X – F – W 25 EI 45 – T – X – F – W 25
			E 60 – V – X – F – W 15 EI 45 – V – X – F – W 15

**Declaration of Performance**  
Sikacryl 621 Fire+  
79744211  
2021.10 , ver. 1  
1549

Template for translation. Only for  
internal use

**A.2 Flexible wall constructions according to 1.2.1 with wall thickness of minimum 100 mm and minimum 2 x layer of 12.5 mm board per side**

**A.2.1 Linear joint seals, between head of flexible wall and soffit of concrete floor and vertical end of flexible wall and concrete wall**



**A.2.1.1**

Substrate	Depth (mm)	Backing (minimum)	Classification
Plasterboard/ concrete	12.5 min.	12.5 mm Stone wool 35 kg/m <sup>3</sup> plus 50 mm steel partition head track	EI 120 – T – X – F – W 30
		20 mm Stone wool 35 kg/m <sup>3</sup>	EI 120 – V – X – F – W 30
	25 min.	50 mm steel partition head track /stud	EI 120 – T – X – F – W 30
	12.5 min.		EI 90 – T – X – F – W 25
			EI 90 – V – X – F – W 15

**Declaration of Performance**

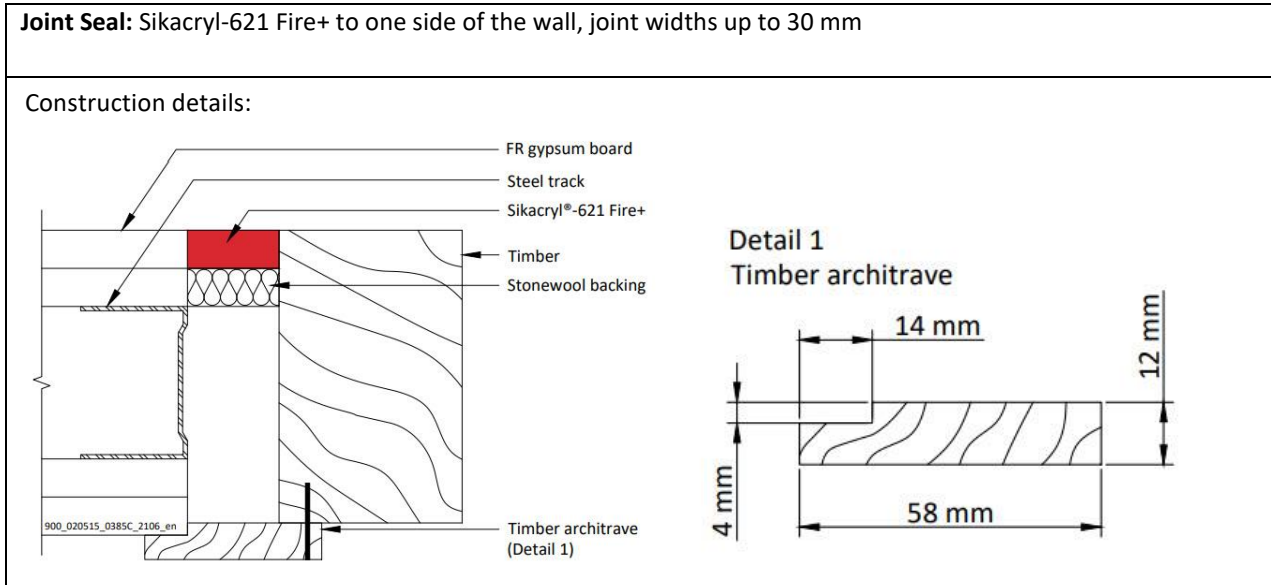
Sikacryl 621 Fire+  
79744211  
2021.10 , ver. 1  
1549

Template for translation. Only for internal use



**A.2.2 Flexible or rigid wall construction with wall thickness of minimum 100 mm and timber substrates and architraves**

**B.2.2.1 Linear joint or gap seals, vertically or horizontal orientated with backing materials**



**B.2.2.2**

Substrate	Depth (mm)	Facing (minimum)	Backing	Classification
Flexible or rigid wall / Timber	12.5 min.	Single sided linear seals in flexible or rigid walls against wooden frames covered with architraves on the other side fixed with 25 mm steel pins at nominal 300 mm centres.	Stonewool, 12.5 mm deep min. 35 kg/m <sup>3</sup>	EI 60 – V – X – F – W 30
				EI 60 – T – X – F – W 30

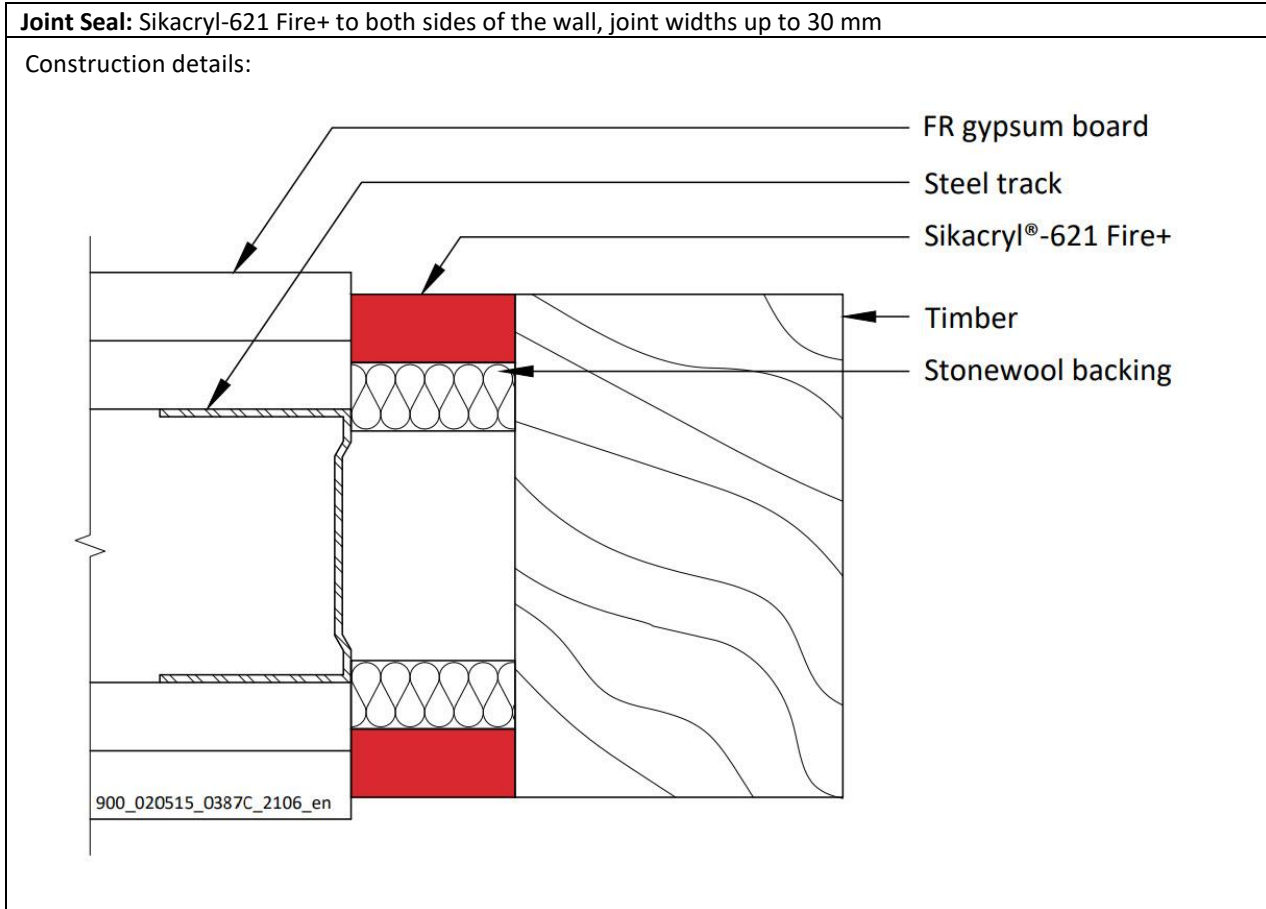
**Declaration of Performance**

Sikacryl 621 Fire+  
79744211  
2021.10 , ver. 1  
1549

Template for translation. Only for internal use

**A.2.3 Flexible or rigid wall construction with wall thickness of minimum 100 mm and timber substrates**

**B.2.3.1 Linear joint or gap seals, vertically or horizontal orientated with backing materials**



**A.2.3.2**

Substrate	Depth (mm)	Backing	Classification
Flexible or rigid wall / Timber	12.5 min.	Stonewool, 12.5 mm deep min. 35 kg/m <sup>3</sup>	E 90 – V – X – F – W 30
			EI 60 – V – X – F – W 30
			E 90 – T – X – F – W 30
			EI 60 – T – X – F – W 30

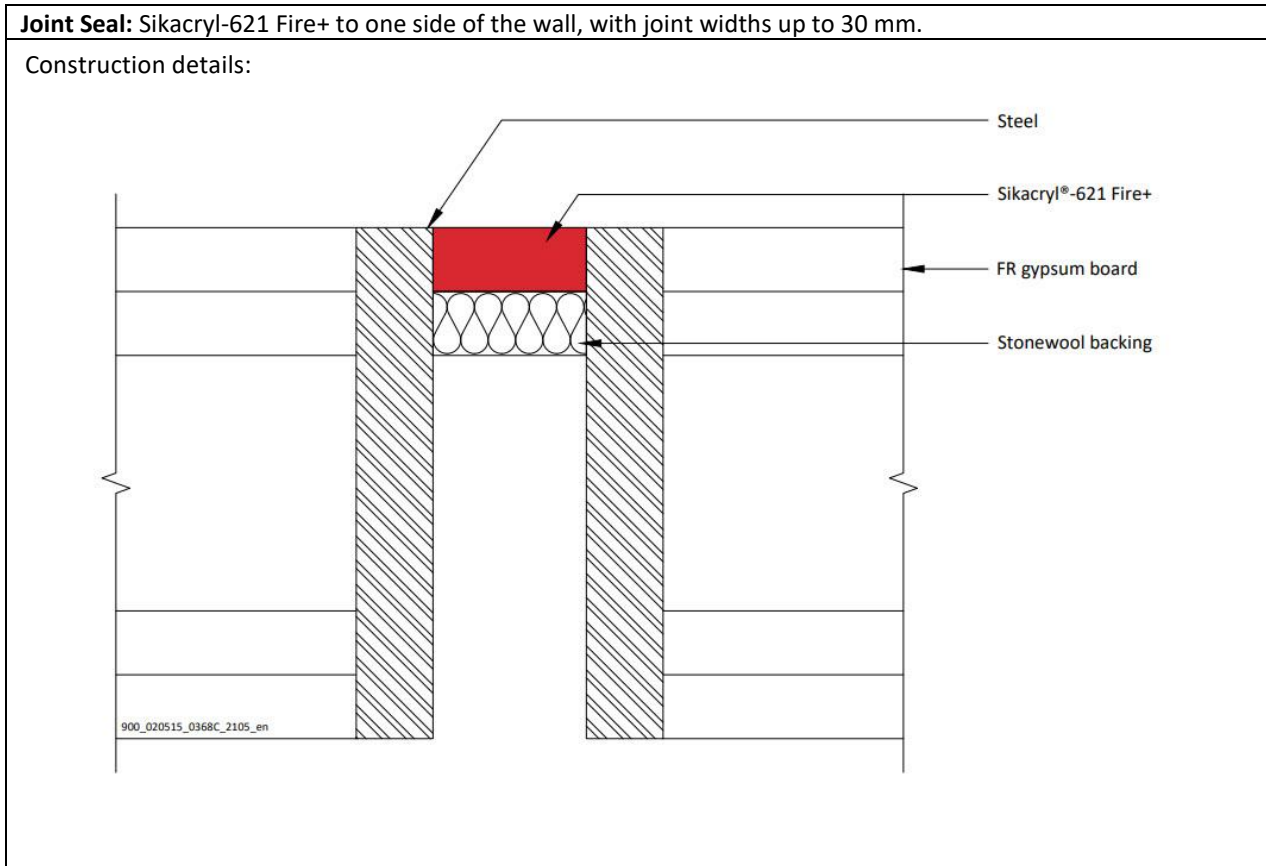
**Declaration of Performance**

Sikacryl 621 Fire+  
79744211  
2021.10 , ver. 1  
1549

Template for translation. Only for internal use

**A.2.4 Flexible or rigid wall construction with wall thickness of minimum 100 mm and steel substrates**

**A.2.4.1 Linear joint or gap seals, vertically or horizontal orientated with backing materials**



**A.2.4.2**

Substrate	Depth (mm)	Backing	Classification
Steel / steel	12.5 min.	Stonewool, 12.5 mm deep min. 35 kg/m <sup>3</sup>	E 120 – V – X – F – W 30
			EI 30 – V – X – F – W 30
			E 120 – T – X – F – W 30
			EI 30 – T – X – F – W 30

**Declaration of Performance**

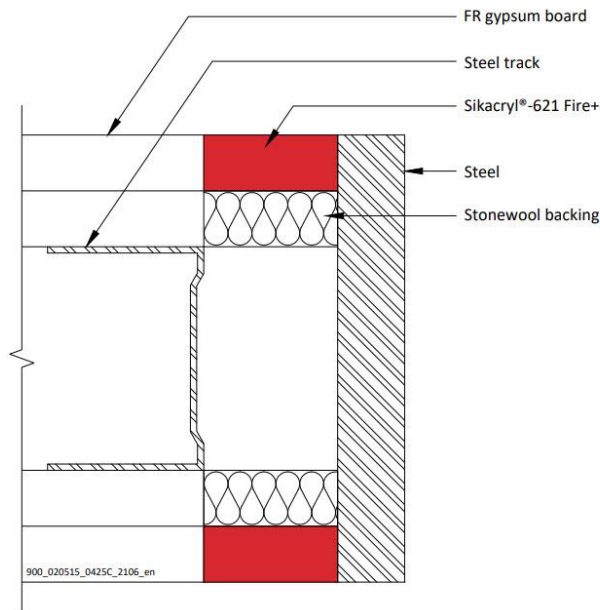
Sikacryl 621 Fire+  
79744211  
2021.10 , ver. 1  
1549

Template for translation. Only for  
internal use

## A.2.5 Linear joint or gap seals, vertically or horizontal orientated with backing materials

**Joint Seal:** Sikacryl-621 Fire+ to both sides of the wall, with joint widths up to 30 mm.

Construction details:



### A.2.5.1

Substrate	Depth (mm)	Backing	Classification
Flexible or rigid wall / Steel	12.5 min.	Stonewool, 12.5 mm deep min. 35 kg/m <sup>3</sup>	E 120 – V – X – F – W 30 <sup>1</sup> EI 30 – V – X – F – W 30 <sup>2</sup>
			E 120 – T – X – F – W 30 <sup>3</sup> EI 45 – T – X – F – W 30 <sup>4</sup>

\*Additional and for information only.

The classifications provided in Table A.2.5.1 consider the insulation performance of all components within the firestopping system as per the requirements of EN 1366-4. This includes temperature evaluation of the steel substrate.

In relation to each of the above classifications, temperatures recorded on the seal (exclusive of the supporting construction) exceeded the maximum allowable after the following times (rounded down):

<sup>1</sup> 120, <sup>2</sup> 90, <sup>3</sup> 120, <sup>4</sup> 60

#### Declaration of Performance

Sikacryl 621 Fire+  
79744211  
2021.10 , ver. 1  
1549

Template for translation. Only for internal use

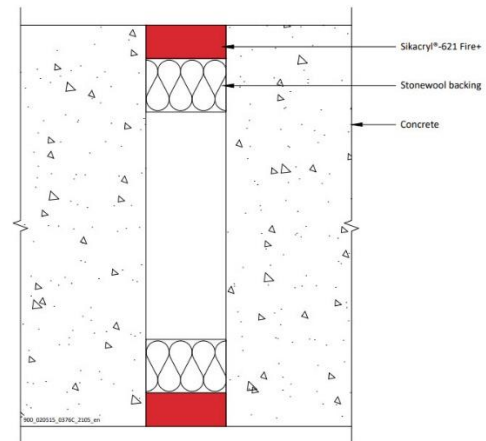
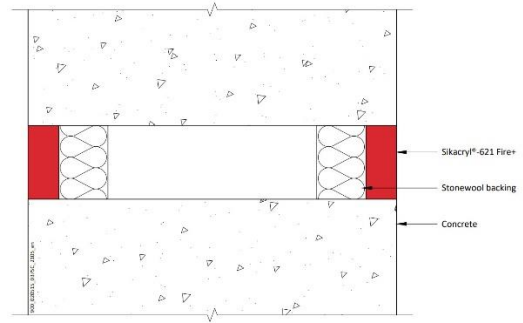
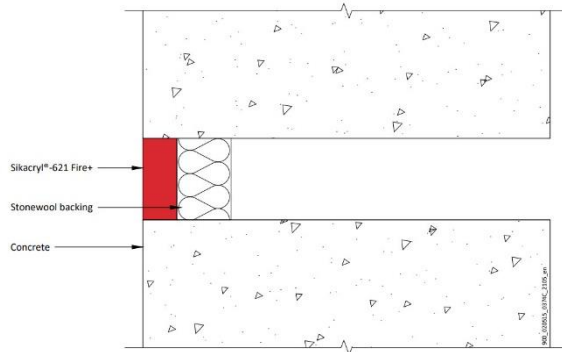
20/27

**A.3 Rigid wall constructions according to 1.2.1 with wall thickness of minimum 150 mm**

**A.3.1 Linear joint or gap seal, between head of rigid wall and soffit of concrete floor / between rigid walls**

**Joint Seal:** Sikacryl-621 Fire+ to either side (or any position between) or both sides of the wall, joint widths up to 30 mm

Construction details:



**Declaration of Performance**  
 Sikacryl 621 Fire+  
 79744211  
 2021.10 , ver. 1  
 1549

Template for translation. Only for  
 internal use

**A.3.1.1**

Substrate	Depth (mm)	Backing (minimum)	Classification
masonry/ concrete	25 min. (one side)	20 mm Stone wool 40 kg/m <sup>3</sup>	E 240 – T – X – F – W 30 EI 60 – T – X – F – W 30
	15 min. (both sides)		EI 240 – V – X – F – W 30 EI 240 – T – X – F – W 30
	10 min. (one side)	60 mm Stone wool 33 kg/m <sup>3</sup>	E 240 – T – X – F – W 50 EI 60 – T – X – F – W 50 EI 120 – V – X – F – W 50
	25 min. (one side)	48 mm AES mineral fibre	E 240 – T – X – F – W 30 EI 120 – T – X – F – W 30

**Declaration of Performance**

Sikacryl 621 Fire+  
79744211  
2021.10 , ver. 1  
1549

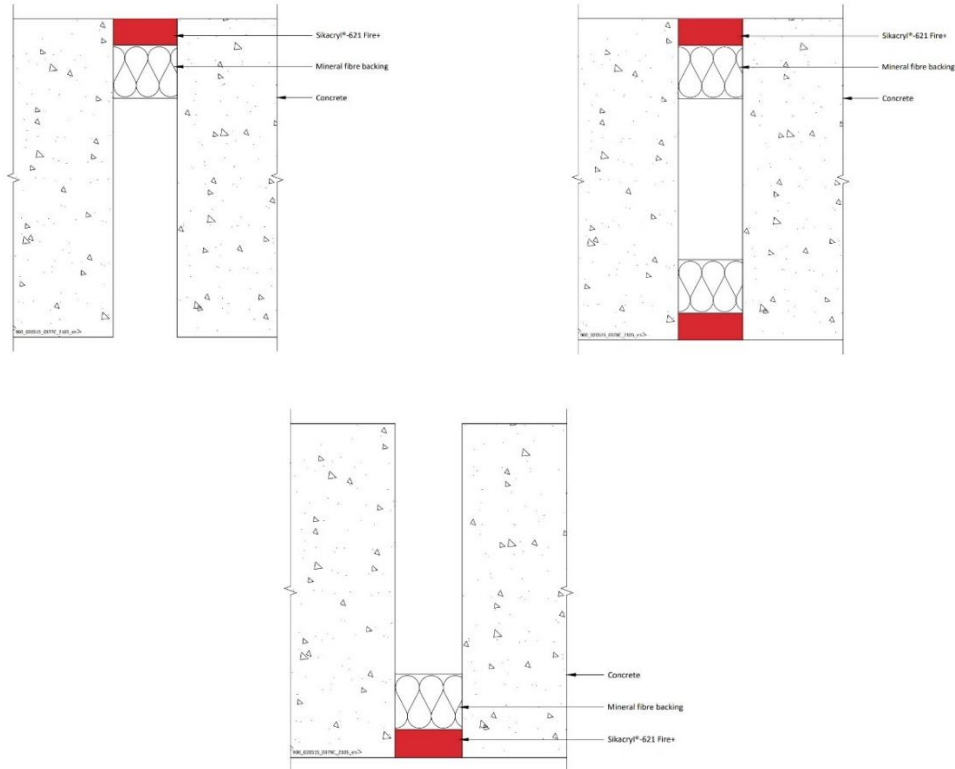
Template for translation. Only for  
internal use

**A.4 Rigid floor constructions according to 1.2.1 with floor thickness of minimum 150 mm**

**A.4.1 Linear joint or gap seal, between floor slabs or between floor slab and wall with sealant to the top face of the floor only**

**Joint Seal:** Sikacryl-621 Fire+ to either side (or any position between) or both sides of the floor, joint widths up to 100 mm

Construction details:



**A.4.1.1**

Substrate	Depth (mm)	Backing (minimum)	Classification
masonry/ concrete	25 min. (any position)	25 mm AES mineral fibre	E 120 – H – X – F – W 100
	25 min. (top face)		EI 60 – H – X – F – W 100
	15 min. (both sides)	25 mm Stone wool 40 kg/m <sup>3</sup>	EI 180 – H – X – F – W 100
		25 mm Stone wool 140 kg/m <sup>3</sup>	EI 120 – H – X – F – W 100
	15 min. (both sides)	25 mm stone wool 35 kg/m <sup>3</sup> insulation	EI 180 – H – X – F – W 100
	10 min. (top face)	90 mm Stone wool 33 kg/m <sup>3</sup>	EI 240 – H – X – F – W 30
			EI 240 – H – X – F – W 100

**Declaration of Performance**

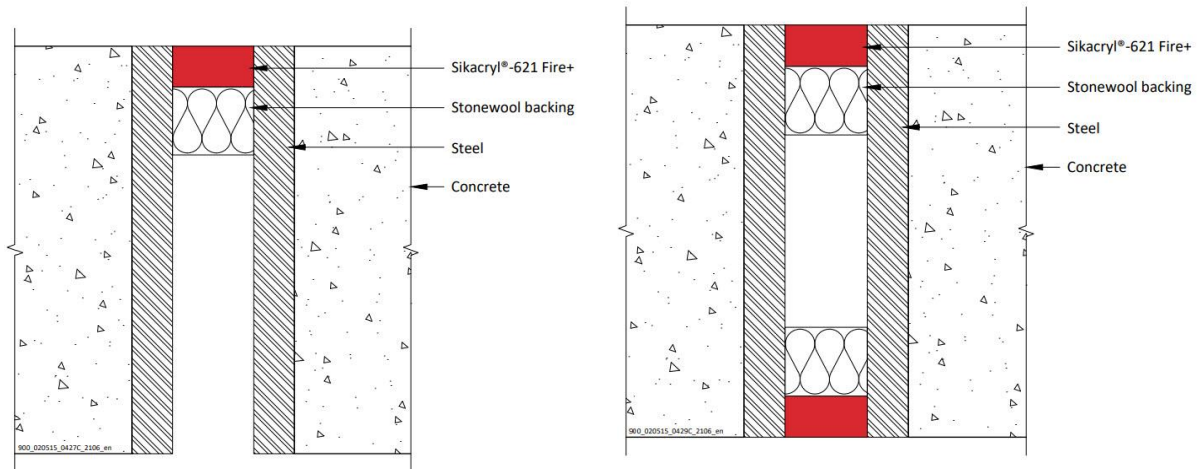
Sikacryl 621 Fire+  
79744211  
2021.10 , ver. 1  
1549

Template for translation. Only for internal use

#### A.4.2 Linear joint or gap seals, in or between rigid floors

**Joint Seal: Sikacryl-621 Fire+ in floor, joint widths up to 30 mm**

Construction details:



**Declaration of Performance**  
 Sikacryl 621 Fire+  
 79744211  
 2021.10 , ver. 1  
 1549

Template for translation. Only for  
 internal use

24/27



**A.4.2.1**

Substrate	Depth (mm)	Backing	Position	Classification
Steel/ steel or Steel/ concrete	25 min.	Stonewool, 50 mm deep min. 35 kg/m <sup>3</sup>	Top	E 240 – H – X – F – W 30 <sup>1</sup> EI 30 – H – X – F – W 30 <sup>2</sup>
	15 min.	Stonewool, 25 mm deep min. 35 kg/m <sup>3</sup>	Both	E 240 – H – X – F – W 30 <sup>3</sup> EI 45 – H – X – F – W 30 <sup>4</sup>
Aluminium / concrete	25 min.	Stonewool, 50 mm deep min. 35 kg/m <sup>3</sup>	Top	E 180 – H – X – F – W 30 <sup>5</sup> EI 20 – H – X – F – W 30 <sup>6</sup>

\*Additional and for information only.

The classifications provided in Table A.4.2.1 consider the insulation performance of all components within the firestopping system as per the requirements of EN 1366-4. This includes temperature evaluation of the steel substrate.

In relation to each of the above classifications, temperatures recorded on the seal (exclusive of the supporting construction) exceeded the maximum allowable after the following times (rounded down):

<sup>1</sup> 240, <sup>2</sup> 60, <sup>3</sup> 240, <sup>4</sup> 120, <sup>5</sup> 180, <sup>6</sup> 60

EAD 350141-00-1106:2017
Notified Body 2531
Fire Stopping and Sealing Product: Linear Joint and Gap Seals

<http://dop.sika.com>


**Declaration of Performance**

Sikacryl 621 Fire+  
79744211  
2021.10 , ver. 1  
1549

Template for translation. Only for  
internal use

25/27

## CE MARKING TO BE PLACED ON THE LABEL

 21
Sika Services AG, Zurich, Switzerland
79744211
For details see accompanying documents
EAD 350141-00-1106:2017
Notified Body 2531
Fire Stopping and Sealing Product: Linear Joint and Gap Seals

<http://dop.sika.com>

---

## ECOLOGY, HEALTH AND SAFETY INFORMATION (REACH)

For information and advice on the safe handling, storage and disposal of chemical products, users shall refer to the most recent Safety Data Sheet (SDS) containing physical, ecological, toxicological and other safety related data.

---

## LEGAL NOTE

Any information or suggestions for use concerning Sika's products, which we either in writing or orally have given buyers or end-users of the product have been given in good faith based on our own experiences and based of approved praxis and the technological and scientific knowledge on the time of giving such suggestions and information, which are given without any type of guarantees, and which do not lead to any further responsibility from Sika Danmark A/S, besides what is stated in the sales agreement in question. The buyer or end-user should themselves investigate or otherwise make sure that our products are suitable for the use in question and further make sure that the products are kept and used correct and in agreement with the published rules and considering the actual conditions in order to avoid damages or less satisfactory results. Any order is accepted and any deliverance is effected according to the general terms of sales and delivery from Sika Danmark A/S, which are considered known and accepted, and which could be handed out when asked for. Our catalogues are not up-dated automatically. The present product data sheet is only for use in Denmark. Values stated in the present product data sheet should be seen as recommended, unless stated otherwise.

---

### Declaration of Performance

Sikacryl 621 Fire+  
79744211  
2021.10 , ver. 1  
1549

Template for translation. Only for  
internal use

26/27

**Sika Danmark A/S**  
Hirsemarken 5  
DK-3520 Farum  
Denmark  
[www.sika.dk](http://www.sika.dk)

**Declaration of Performance**  
Sikacryl 621 Fire+  
79744211  
2021.10 , ver. 1  
1549

**27/27**

Template for translation. Only for  
internal use