



SIKA SOLUTIONS FOR FACADES 150 LONDON LANDMARKS WITH SIKA INSIDE

BUILDING TRUST



SIKA FACADE SYSTEMS IN LONDON

Sika's facade products have a long history in London. Sikaflex® Polyurethane and SikaMembran® EPDM sheet membranes have been well established in the UK facade market. Nevertheless before 2004 Sika did not play an important role in structural glazing facades. This changed when Sika acquired the engineering silicone business from Wacker-Chemie GmbH in 2004. Wacker's structural glazing adhesive Elastosil® SG-500 had already been used for more than 10 years by the renowned curtain wall fabricators Josef Gartner and Schmidlin AG. Sika then created a unique product portfolio around silicone products, and renamed Elastosil® into Sikasil®. This comprehensive product range together with the competent technical service in the Sika Facade Competence Centre in Switzerland and the strong onsite service in the UK made Sika THE partner for sealing, bonding and water-proofing in London's glass facades.

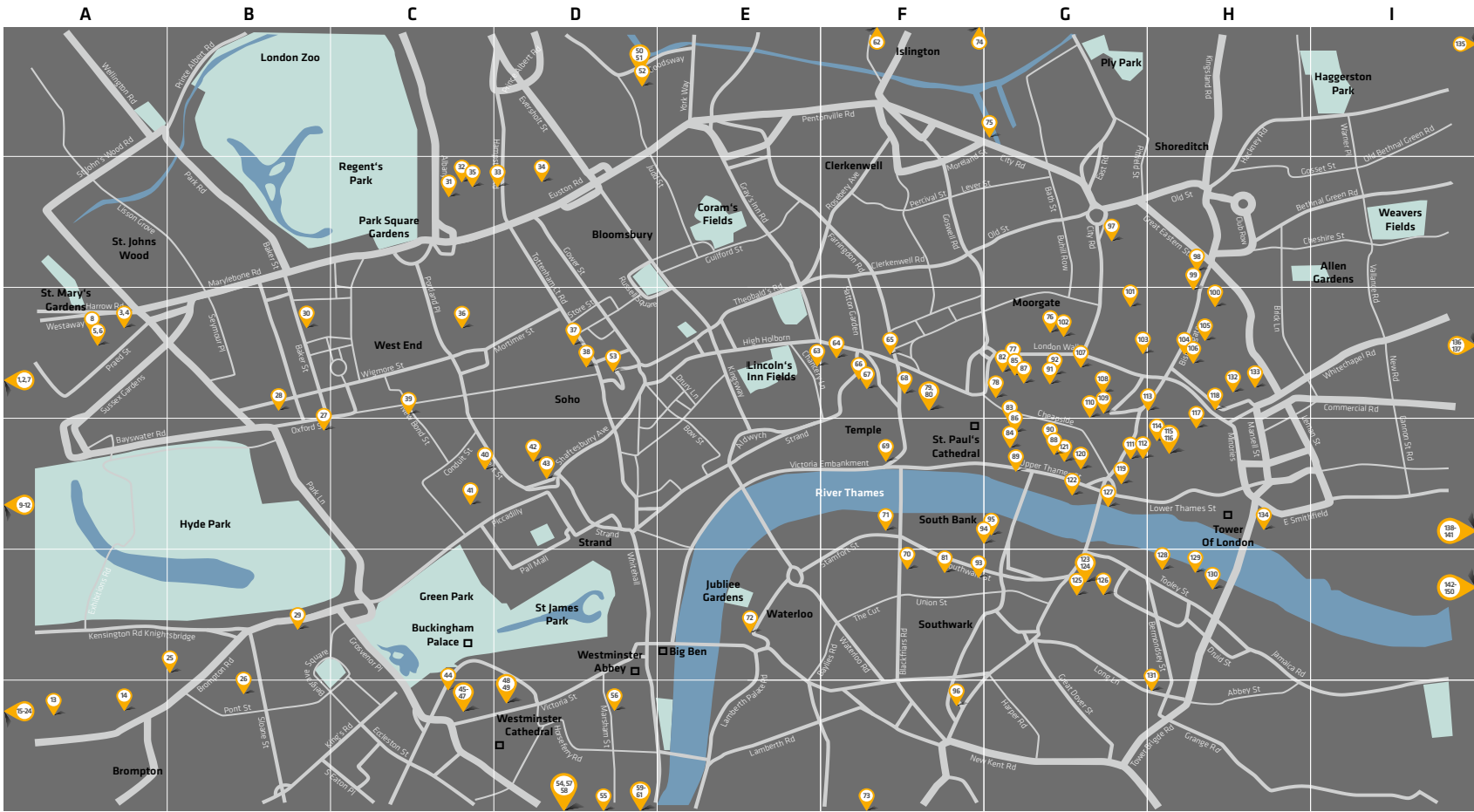
20 Fenchurch Street

Project Participants

Architects: Rafael Viñoly Architects, Adamson Associates

Facade: Permasteelisa, Josef Gartner (2015)





SIKA'S LONDON LANDMARKS

No	Project Name	Coord.	Applications	No	Project Name	Coord.	Applications
1	Chiswick Park, Building 8-9	A3	SG, WS	46	Nova Victoria Circle Bldg 7A, 130 Victoria St	C6	SG, WS
2	Chiswick Park, Building 6	A3	SG, WS	47	Nova Victoria Circle Bldg 5, 77 Buckingham Palace Rd	C6	SG, WS, MB
3	Merchant Square Carmine, North Wharf Rd	A3	SG, WS	48	Kingsgate House (Zig Zag), 66-74 Victoria St	D6	SG, WS, MB
4	Merchant Square West End Reach, Harbet Rd	A3	SG, WS, IG	49	Cardinal Place, 80-100 Victoria St	D6	SG, WS
5	The Point @ Paddington Station	A3	MB	50	4 Pancras Square	D1	WS, IG, MB, SD
6	Paddington Station, Praed St	A3	SG, WS	51	6 Pancras Square, King's Cross Central	D1	WS, IG, MB, SD
7	Monsoon Accessorize HQ, 1 Nicholas Rd	A3	SG, WS	52	Francis Crick Institute, Brill Place	D1	SG, WS, MB
8	Waterside House, 35 North Wharf Rd	A3	SG, WS	53	Centre Point, 103 New Oxford St	D3	MB
9	Heathrow Airport T4	A4	SG, WS, MB	54	Riverlight Apartments, Nine Elms Ln	D6	SG
10	Heathrow Airport T5	A4	SG, WS, MB	55	Abell House, John Islip Street	D6	SG, SF
11	Heathrow Airport T2 B	A4	SG, WS	56	Home Office HQ, 2 Marsham Street	D6	SG, WS
12	World Business Centre @ Heathrow Airport	A4	SG, WS	57	South Bank Tower, St George Wharf	D6	SG, WS
13	Darwin Centre, Exhibition Road, Kensington	A6	SG, WS, IG	58	United States Embassy, Nine Elms	D6	SG, WS
14	Victoria & Albert Museum, Cromwell Rd	A6	SG	59	Embassy Gardens, Nine Elms Ln	D6	SG
15	Threshold Residence, Parsons Green	A6	TP	60	Vauxhall Sky Gardens, 143-161 Wandsworth Rd	D6	SG, WS, IG, GG, FS
16	Montevetro, 112 Battersea Church Road	A6	MB	61	Riverwalk, Millbank	D6	SG, WS, MB, SD
17	New Wembley Stadium, Empire Way	A6	SG, WS	62	The Angel Building, St Johns Rd/Pentonville Rd	F1	SG, WS
18	10 Hammersmith Grove	A6	SG, WS, MB	63	40 Chancery Lane	E3	MB
19	Empress State Building, Lillie Rd	A6	SG, WS	64	New Street Square, New Fetter Lane	F3	SG, WS, IG
20	Shepherds Bush Pavilion, 58 Shepherd's Bush Green	A6	SG	65	40 Holborn Viaduct	F3	SG
21	Imperial West, Technology Transfer Building, Wood Lane	A6	IG	66	Holborn Place, 33 Holborn Circus	F3	MB
22	Lillie Square	A6	SG	67	12-14 New Fetter Lane	F3	SG, WS, IG
23	Wandsworth Southside	A6	SG, WS	68	Ludgate West, 14 Farringdon St	F3	SG
24	Berkeley Hotel, Knightsbridge	A6	WS	69	Tudor Street, 1 Tudor St	F4	SG, WS, MB
25	199 Knightsbridge	B5	MB	70	240 Blackfriars Road	F5	SG, WS
26	70 Brompton Road	B6	SG, WS, IG	71	One Blackfriars, 1-16 Blackfriars Rd	F4	SG, WS
27	Park House, 116 Park St	B4	SG, WS	72	Park Plaza, 200 Westminster Bridge Rd	E5	SG, WS
28	York House, Great Cumberlandplace	B3	SG, WS	73	Ruskin Square, Croydon, George St	F6	SG, WS
29	One Hyde Park, 68-114 Knightsbridge	B5	SG, WS, IG	74	Woodberry Down, Block F, Woodberry Grove	F1	SG, WS
30	55 Baker Street	B3	SG, WS, IG	75	The Lexicon, 261 City Road	G1	SG
31	Regent's Place West Quarter, 1 Osnaburgh St	C2	SG	76	Moorgate Exchange, 72 Fore St	G3	SG, WS, IG, GG, FS
32	Regent's Place West Quarter, 1 Great Portland Sq	C2	WS	77	88 Wood Street	G3	SG, WS
33	NEQ Regents Place, 10 Brock St	D2	IG	78	150 Cheapside	G3	SG, WS, MB
34	University College London Hospitals, Euston Rd	D2	MB	79	One New Ludgate	F3	SG, WS
35	Arup Phase III, 8 Fitzroy Street	C2	SG, WS	80	Two New Ludgate, 60 Ludgate Hill	F3	SG, WS, MB
36	BBC Sculpture, Portland Place, Langham St	C3	SG, WS	81	Ewer Street	F5	TP
37	Gresse Street	D3	SG, WS, MB	82	One London Wall	G3	SG, WS
38	Tottenham Court Road Station	D3	SG, WS	83	One New Change, 1 New Change	G4	SG, WS, IG, MB
39	Bonhams Auction House, 101 New Bond Street	C3	IG	84	Bow Bells House, 1 Bread Street	G4	SG, WS
40	Regent Street, New Burlington Place	C4	WS, MB	85	1 Wood Street	G3	SG, WS
41	Asprey Store, 167 New Bond Street	C4	SG	86	107 Cheapside	G4	SG, WS, IG
42	Quadrant 4, Regent Street	D4	SG, GG	87	10 Gresham Street	G3	WS
43	Quadrant 3, Regent Street	D4	MB	88	Cannon Place, Cannon Street	G4	SG, WS
44	Belgrave House, 76 Buckingham Palace Rd	C6	SG, WS, MB	89	Watermark Place, Upper Thames St	G4	SG, WS, MB, GG
45	Nova Victoria Circle Bldg 6B, 11 Bressenden Pl	C6	SG, WS	90	Bloomberg, 3 Queen Victoria St	G4	SG, WS, MB

Applications and Sika Products in Project List

SG	Structural glazing	Sikasil® SG-500	IG	Insulating glass edge sealing	Sikasil® IG-25 HM Plus, SikaGlaze® IG-5 PIB
WS	Weather sealing	Sikasil® WS-605 S	GG	Glass wall grouting	SikaGlaze® GG-735
NS	Natural stone sealing	Sikasil® WS-355	TP	Elastic panel bonding	SikaTack® Panel System
FS	Fire-retardant sealing	Sikasil® FS-665, Sikasil® FS-665 SL	SD	Rigid Bonding	Sikadur®
MB	Water- / vapour-proofing	SikaMembran® System	SF	Joint sealing of concrete	Sikaflex® PU sealant and Sikaflex® AT PU-Hybrid

SIKA'S LONDON LANDMARKS

No	Project Name	Coord.	Applications	No	Project Name	Coord.	Applications
91	20 Gresham Street	G3	SG, WS, MB, GG	121	The Walbrook, Cannon Street	G4	SG, WS
92	5 Aldermanbury Square	G3	SG, WS, MB	122	Riverbank House, 2 Swane Lane	G4	SG, WS, MB, GG, SF
93	ISIS House, 67 Southwark Street	F5	IG	123	The Place at London Bridge, London Bridge St	G5	SG, WS
94	Tate Modern Switch House, Bankside	F4	SG	124	London Bridge Station, Tooley Street	G5	SG
95	Tate Modern, Bankside	G4	MB	125	City Tower, Great Maze Pond	G5	SG, WS
96	Newington Butts, Elephant & Castle	F6	SG, WS, IG, MB	126	The Shard, 32 London Bridge Street	G5	SG, WS, IG
97	Bezier Building, 81 City Road	G2	WS	127	10 Queen Street Place	G4	SG, WS
98	Broadgate Tower, 201 Bishopsgate	H2	SG, WS, MB	128	More London Building 1A, 1 More London Pl	H5	SG, WS
99	201 Bishopsgate	H3	SG, WS, MB	129	City Hall (GLA), The Queen's Walk	H5	MB
100	Eden House, 5-13 Spital Square	H3	SG, WS, MB	130	One Tower Bridge, Tower Bridge Rd	H5	SG, WS
101	30 Finsbury Square	G3	SG, WS	131	The Tower, Tabard Square	H6	SG
102	Moor House, Moorgate	G3	WS	132	St Botolph's House, 138-139 Houndsditch	H3	SG, WS, IG
103	Dashwood House, 69 Old Broad St	G3	SG, WS, MB	133	Aldgate Tower, Whitechapel High St	H3	SG, WS
104	100 Bishopsgate	H3	SG, WS, MB	134	Tower Bridge House, K2, St. Katharine's Way	H4	SG, WS, MB
105	Nido Spitalfields, Middlesex Street	H3	SG, WS	135	Olympic Velodrome, Olympic Park	I1	IG
106	Heron Tower, 106-126 Bishopsgate	H3	SG, WS	136	Royal London Hospital, Whitechapel Road	I3	SG, WS
107	One Basinghall Avenue	G3	WS	137	Telehouse West, Coriander Ave.	I3	SG, WS
108	Drapers Gardens, 12 Throgmorton Ave	G3	SG, WS, MB, SF, FS	138	Poplar Park, Tower Hamlet	I4	SG, WS
109	60 Threadneedle Street	G3	SG, WS, MB, GG, SF	139	BP 3, 20 Churchill Place, Canary Wharf	I4	SG, WS
110	One Lothbury, 1 Lothbury	G3	SG	140	DS3 West KPMG, 15 Canada Square	I4	SG, WS
111	10 Fenchurch Street	G4	SG, WS, IG, MB	141	Riverside South, Westferry Circus, Canary W.	I4	SG, WS
112	20 Fenchurch Street	G4	SG, WS, IG, MB	142	New Providence Wharf, Bdg. C, 1 Fairmont Ave	I5	MB, GG
113	22-24 Bishopsgate	H3	SG, WS, MB	143	Indescon Court, Lighterman's Rd	I5	SG, WS
114	122 Leadenhall Street	H4	SG, WS, MB	144	Novotel Canary Wharf, 40 Marsh Wall	I5	SG, WS, IG
115	Willis Building, 51 Lime Street	H4	SG, WS	145	Dollar Bay, Marsh Wall	I5	SG, WS, IG, MB, SD
116	The Scalpel, 52 Lime Street	H4	SG, WS	146	The Landmark, 22 Marsh Wall	I5	SG, WS, IG
117	30 St Mary Axe, (Swiss Re)	H4	SG, MB	147	The Icon, 31-39 Millharbour	I5	SG, WS
118	1 Creechchurch Place	H3	SG, WS	148	Lifelong Learning Centre, Barking	I5	TP
119	11-19 Monument Street	G4	SG, WS, IG	149	Cayley Primary School, Aston Street	I5	TP
120	70 Mark Lane	G4	MB	150	Excel Hotel, West, Gateway Royal Victoria Dock	I5	IG



**One New Ludgate
Project participants**
Architect:
Fletcher Priest Architects
Facade:
Josef Gartner (2016)

Sources of Photographs and Drawings

Brian Gough (15), Cesar Serrano (98, 99), Felix constructions (16, 25), Gartner (83), Holger Knauf (91, 109), Nick Cooney (36), Scheldebouw (76), Schmidlin (92, 115), Timothy Soar (122, 148), Tristram Compton (34, 128), Emporis (5, 8, 52, 57, 70, 79, 80, 83, 89, 119, 146)

LONDON'S INNOVATIVE ARCHITECTURE: THE PLAYGROUND OF THE MOST RENOWNED ARCHITECTS

Architect	Project	Homepage
Adamson Associates	51, 112, 123	www.adamson-associates.com
Allford Hall Monaghan Morris	7, 40, 42, 62, 70, 73, 148	www.ahmm.com
Allies and Morrison	93, 104	www.alliesandmorrison.com
Atelier Jean Nouvel	83	www.jeannouvel.com
Bennetts Associates	12, 54, 63, 64, 120	www.bennettsassociates.com
Broadway Malyan	57	www.broadwaymalyan.com
BUJ Architects	72, 138, 143	www.buj.co.uk
C. F. Møller Architects	13	www.cfmoller.com
Chantrey Davis Ltd.	147	www.chantrey.co.uk
CJCT CareyJones Chpamantolcher Architects	60	www.cjctstudios.com
David Walker Architects	122	www.davidwalkerarchitects.com
EPR Architects	28, 49, 122	www.epr.co.uk
Eric Parry Architects	50, 92, 101, 109, 111	www.ericparryarchitects.co.uk
Flanagan Lawrence	18, 20, 47, 67	www.flanaganlawrence.com
Fletcher Priest Architects	74, 78, 79, 80, 85, 89, 103, 110	www.fletcherpriest.com
Foggo Associates	88, 108	www.foggo.com
Foster & Partners	41, 66, 82, 87, 90, 102, 115, 117, 121, 128, 129	www.fosterandpartners.com
Herzog & De Meuron	94, 95	www.herzogdemeuron.com
HOK	52, 84, 136	www.hok.com
Hopkins Architects Ltd.	135	www.hopkins.co.uk
John Robertson Architects	86, 119, 127	www.jra.co.uk
Kieran Timberlake	58	www.kierantimberlake.com/
Kohn Pedersen Fox Associates, KPF	91, 106, 116, 139, 140	www.kpf.com
Make Architects	30, 119	www.makearchitects.com
Nicolas Grimshaw Architects	6, 124, 132	www.grimshaw-architects.com
Paul Davis + Partners	22	www.pdlondon.com
PLP Architecture	21, 45, 46, 52, 113	www.plparchitecture.com
Rafael Viñoly	112	www.rvvp.com
Renzo Piano	123, 126	www.rpbw.com
Rick Mather Architects	53	www.rickmather.com
Robin Partington Architects	3, 4, 27	www.rplondon.com
Rogers Stirk Harbour + Partners	1, 2, 8, 10, 16, 17, 24, 29, 54, 77, 96, 114, 134, 141	www.richardrogers.co.uk
Rolfe Judd	65, 103	www.rolfe-judd.co.uk
Sauerbruch Hutton	80	www.sauerbruchhutton.de
Scott Brownrigg	100	www.scottbrownrigg.com
Sheppard Robson	35, 118	www.sheppardrobson.com
Simpson Haugh and Partners	71, 145	www.simpsonhaugh.com
SMC Zeidler Architects	26	www.zeidler.com
Skidmore, Owings & Merrill, SOM	68, 75, 98, 99, 142	www.som.com
Squire & Partners	23, 25, 44, 130, 146	www.squireandpartners.com
Stanton Williams Architects	61	www.stantonwilliams.com
Terry Farrell & Partners	5, 31, 32, 56, 59	www.terryfarrell.co.uk
TP Bennett Architects	69, 97, 105	www.tpbenett.com
Watkins Gray Woodgate	125	www.wgi.co.uk
Wilkinson Eyre Architects	19, 33, 133	www.wilkinsoneyre.com
Wilmotte & Associates	51	www.wilmotte.com
YRM Architects	137	www.rmjm.com

INTERNATIONAL FACADE MANUFACTURES BUILD LONDON'S LANDMARKS WITH SIKA FACADE PRODUCTS

Contractor	Project	Homepage
Aztec (UK)	54	www.mylocalservices.co.uk
Bellapart (ES)	24	www.bellapart.com
BGT Bischoff Glastechnik (DE)	21, 150	www.bgt-bretten.de
Cladding UK (UK)	15, 148	www.claddinguk.co.uk
Colorminium (UK)	22	www.colorminium.com
EAG (UK)	55	www.eag.uk.com
Euroview Manufacturing (UK)	135	www.mylocalservices.co.uk
FAA Group (UK)	59, 81, 149	www.faa-group.co.uk
Fahrni (CH)	34, 37, 69, 100, 103	www.fahrni.com
Félix constructions (CH)	5, 16, 25, 43, 63, 66, 68, 95, 120	www.felix-constructions.ch
Focchi (IT)	26, 27, 30, 32, 50, 51, 61, 60, 67, 76, 86, 145	www.focchi.it
Interpane Glas Industrie AG	33, 39, 93	www.interpane.com
Josef Gartner (DE)	1, 18, 28, 40, 48, 49, 52, 79, 80, 82, 83, 84, 85, 87, 88, 89, 90, 91, 98, 99, 107, 108, 109, 111, 112, 113, 121, 122	www.josef-gartner.permasteelisagroup.com
JP Specialist Glazing Design (UK)	20	www.jp-sgd.co.uk
Lindner Fassaden (DE)	10, 53, 74, 92, 142	www.lindner-group.com
Mero Schmidlin (DE)	115	www.merouk.co.uk
Octatube (NL)	14	www.octatube.nl
Oskomera (NL)	31, 110, 131	www.oskomera.nl
Permasteelisa (IT)	4, 11, 13, 47, 58, 64, 102, 105, 112, 119, 125, 128, 132, 140, 141, 144	www.permasteelisagroup.com
Rinaldi-Structural (FR)	7, 8, 12, 19, 35, 56, 77, 127, 137	www.rinaldi-structural.com
Scheldebouw (NL)	2, 3, 4, 17, 29, 52, 62, 65, 70, 73, 78, 106, 116, 118, 123, 126, 130, 133, 136, 139	www.scheldebouw.com
Schmidlin AG (CH)	9, 44, 101, 117, 129, 134	www.schmidlin-tsk.com
Seele (DE)	38, 94	www.seele.com
Tuchschmid (CH)	36	www.tuchschmid.ch
Vision Design (UK)	6, 42, 124	www.visiondesignprojectsLtd.co.uk
Waagner-Biro (AT)	41	www.waagner-biro.at
YuanDa (CN)	23, 45, 46, 57, 71, 72, 75, 96, 97, 104, 114, 138, 143, 146, 147	www.yuanda-europe.com



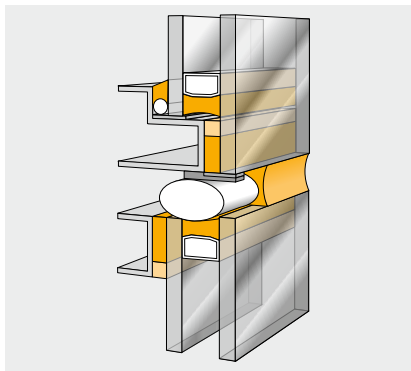
Francis Crick Institute
 Architect: HOK, PLP
 Architecture
 Facade: Scheldebouw,
 Josef Gartner (2016)

52

FACADE BONDING AND SEALING WITH Sikasil® SG AND WS

PROJECT REQUIREMENTS

IN STRUCTURAL SEALANT GLAZING, UV AND WEATHERING RESISTANT SILICONE ADHESIVES TOGETHER WITH COMPATIBLE WEATHER SEALANTS CONSTITUTE STATE OF THE ART TECHNOLOGIES. THE WORLD'S LEADING CURTAIN WALL FABRICATORS REQUESTED THE MOST DURABLE AND RELIABLE PRODUCTS.



SIKA SOLUTION

Sika Facade Competence Centre in Switzerland has tested the adhesion and compatibility of Sikasil® SG-500 (complying with ETAG 002) and Sikasil® WS-605 S (classified ISO 11600 F&G 25 LM) with all materials in contact with silicone products prior to any application in these high-rise buildings. For perfect compatibility Sika even provides the Sika® Spacer Tape HD.



Willis Building
Project Participants
Architect: Foster and Partners
Facade: Mero-Schmidlin UK (2008)



240 Blackfriars Road
Project Participants
Architect: Allford Hall,
Monaghan Morris
Facade: Scheldebouw
(2014)

RIGHT, Project 114:
122 Leadenhall Street
Project Participants
Architect: Rogers Stirk Harbour + Partners
Facade: YuanDa (CN) (2013)



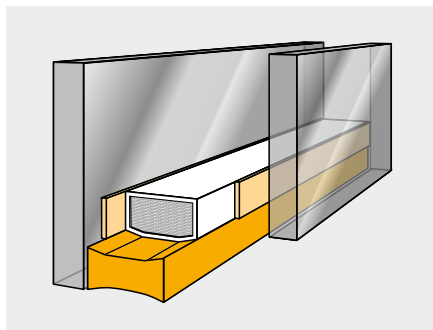
ARGON-FILLED INSULATING GLASS WITH Sikasil® IG-25 HM Plus

PROJECT REQUIREMENTS

IN HIGH-PERFORMANCE ENERGY-SAVING GLASS FACADES, THE INSULATING GLASS UNITS MUST BE ARGON-FILLED. SO FAR THIS WAS A DOMAIN OF CAPPED CURTAIN WALL SYSTEMS AND STANDARD WINDOWS WITH PU AND PS SECONDARY SEALANTS. BECAUSE FOR STRUCTURAL SEALANT GLAZING ONLY SILICONE SEALANTS ARE APPROVED. HOWEVER, SILICONES WITH THEIR HIGH ARGON LOSS RATES WERE REGARDED AS NOT SUITABLE FOR ARGON-FILLED IG UNITS. THIS REQUESTED THE DEVELOPMENT OF A NEW PRODUCT.

SIKA SOLUTION

With the high-modulus silicone secondary sealant, Sikasil® IG-25 HM Plus, Argon loss rates as low as 0.5% per year are achievable, resulting in a service life of the IG unit of at least 30 years. For project No. 83, Sikasil® SG, IG, WS and even Sika® Spacer Tape HD in a particular shade of grey have been created to meet the architect's expectations.



11-19 Monument Street
Project Participants
Architect: John Robertson Architects
Facade: Permasteelisa (2016)

RIGHT, Project 83:
One New Change
Project Participants
Architect: Ateliers Jean Nouvel
Insulating Glass: Bischof Glas BGT, DE
Facade: Josef Gartner (2010)



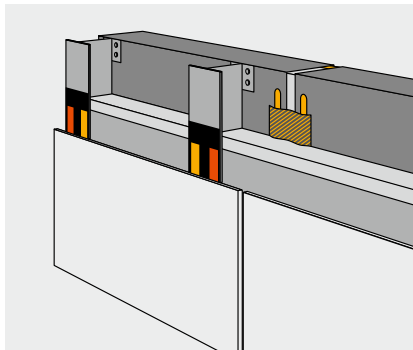
FACADE CLADDING WITH SikaTack® Panel System



Threshold Residence,
Parsons Green
Project Participants
Client: Threshold Housing Association
Facade: Cladding UK

PROJECT REQUIREMENTS

FOR THESE PROJECTS, THE CONTRACTORS REQUIRED A FLAWLESS FACADE WITHOUT A SINGLE FASTENER TO SPOIL ITS APPEARANCE.



SIKA SOLUTION

SikaTack® Panel elastic bonding technology requires neither screws nor brackets and grants a time-saving application. Temporarily held in place using special double-sided adhesive tape, the panel is bonded firmly but stress-free to the carrier frame (no buckling) thanks to SikaTack® Panel adhesive. Vapor proofing of the ventilated facade is ideally done with SikaMembran® system.

RIGHT, Project 148:
Lifelong Learning Centre Barking
Project Participants
Architect: Allford Hall Monaghan Morris
Facade: Cladding UK



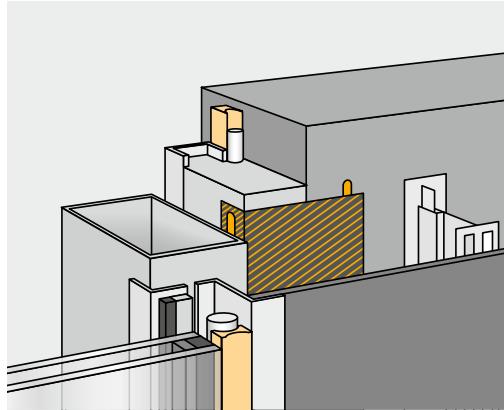
VAPOR PROOFING WITH SikaMembran® System

PROJECT REQUIREMENTS

THE PROJECTS ON THESE TWO PAGES EITHER HAVE A VERY FRAGMENTED FACADE WITH PROTRUSIONS OR CONNECTIONS BETWEEN FACADES WHERE JOINT SEALING WITH WET SEALANTS WAS NOT POSSIBLE AND WIDE GAPS HAD TO BE WATER-/VAPOR-PROOF.

SIKA SOLUTION

The SikaMembran® system consists of a set of EPDM membranes and an adhesive suitable for a durable water-/vapor-proofing in each climate and on many various substrates. The easy and fast application of the thin sheet membranes is outstanding.



25

199 Knightsbridge
Project Participants
Architect: Squire and Partners
Facade: Felix constructions (2006)



16

Montevetro
Project Participants
Architect: Rogers Stirk
Harbour + Partner
Facade: Felix constructions (2000)



**RIGHT, Project 80:
Two New Ludgate**
Project Participants
Architect: Sauerbruch Hutton
Facade: Josef Gartner (2015)

GLASS WALL GROUTING WITH SikaGlaze® GG-735



128
More London Building 1A
Project Participants
Architect: Foster and Partners
Facade: Permasteelisa UK (2003)

PROJECT REQUIREMENTS

GLASS BALUSTRADES SHOULD BE FIXED TO THE FLOOR WITH THE LOWEST STRESS POSSIBLE ON THE GLASS PANES. BUT MECHANICAL FASTENERS TRANSFER HIGH PUNCTUAL STRESS TO THE GLASS. THICKER GLASS PANELS ARE THE CONSEQUENCE.

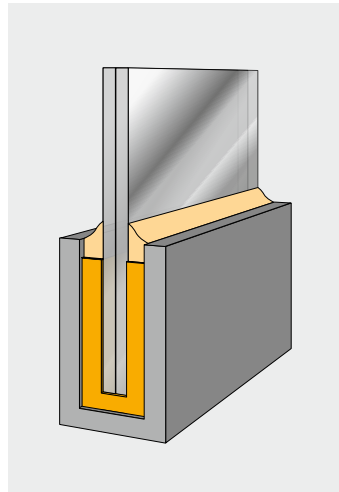
SIKA SOLUTION

The bottom glass edge is embedded in the floor with self-levelling, high-strength fast-curing 2-part PU system, SikaGlaze® GG-735, resulting in a uniform stress distribution and thus the reduction of high punctual stress. In outdoor applications a bead of Sikasil® WS-605 S protects the PU against UV radiation.

109
60 Threadneedle Street
Project Participants
Architect: Fletcher Priest Architects
Facade: Josef Gartner (2007)



142
New Providence Wharf
Project Participants
Architect: SOM
Facade: Lindner Fassaden (2016)



RIGHT, Project 122:
Riverbank House
Project Participants
Architect: David Walker Architects
Facade: Josef Gartner (2011)



GLOBAL BUT LOCAL PARTNERSHIP



FOR MORE INFORMATION:



www.sika.com/ses

WHO WE ARE

Sika is a specialty chemicals company with a leading position in the development and production of systems and products for bonding, sealing, damping, reinforcing and protecting in the building sector and the motor vehicle industry. Sika has subsidiaries in 93 countries around the world and manufactures in over 170 factories. Its more than 17,000 employees generated annual sales of CHF 5,49 billion in 2015.

Our most current General Sales Conditions shall apply.
Please consult the Data Sheet prior to any use and processing.



SIKA SERVICES AG
Tueffenwies 16
CH-8048 Zurich
Switzerland

CONTACT:
Phone: +41 58 436 40 40
Fax: +41 58 436 55 30
www.sika.com/ses

BUILDING TRUST

