

Sikasil®-670 Fire

DECLARATION OF PERFORMANCE

No. 66970536

1	UNIQUE IDENTIFICATION CODE OF THE PRODUCT-TYPE:	66970536
2	INTENDED USE/S	ETAG 026:2011 / ETA 14/0474:2014 Fire Stopping and Sealing Product, Linear joint and Gap Seal to reinstate the fire resistance performance of gaps and joints between rigid wall constructions, gaps in joints between rigid floor constructions
3	MANUFACTURER:	Sika Services AG Tüffenwies 16-22 8064 Zürich
4	AUTHORISED REPRESENTATIVE:	
5	SYSTEM/S OF AVCP:	System 1
6b	EUROPEAN ASSESSMENT DOCUMENT:	ETAG 026:2011
	European Technical Assessment:	ETA 14/0474:2014
	Technical Assessment Body:	Exova (UK) Limited trading as Warrington Certification
	Notified body/ies:	1121

Declaration of Performance

Sikasil®-670 Fire
66970536
2018.01 , ver. 3
1213

7 DECLARED PERFORMANCE/S

Essential Characteristics	Performance	AVCP	Harmonised Technical Specification
Mechanical resistance and stability	Not relevant	System 1	
Safety in case of fire	See Clause 3.1	System 1	
Reaction to fire	Class F	System 1	
Resistance to fire	See Clause 3.2 & Annex C	System 1	
Air permeability	See Clause 3.3	System 1	
Water permeability	NPD	System 1	
Dangerous substances	See Clause 3.5	System 1	ETAG
Mechanical resistance and stability	NPD	System 1	026:2011 /
Resistance to impact/movement	NPD	System 1	ETA
Adhesion	NPD	System 1	140474:2014
Protection against noise	NPD	System 1	
Airborne sound insulation	Rw(C,C _{tr})=38 (-2;-9)	System 1	
Thermal properties	NPD	System 1	
Water vapor permeability	NPD	System 1	
Durability and serviceability	Z1 See Clause 3.11	System 1	

3.1 Reaction to fire

System Sikasil®-670 Fire is classified 'F' in accordance with EN 13501-1.

3.2 Resistance to fire

System Sikasil®-670 Fire has been tested in accordance with BS EN 1366-4: 2006 based upon the test results and the field of direct application specified within EN 1366-4: 2006, the system Sikasil®-670 Fire has been classified in accordance with EN 13501-2, as given in Annex C

The seals may only be used in the elements of construction described in Annex C and against the substrates described in Annex C.

Provisions shall be taken such that floor joint seals cannot be stepped on e.g. by covering with wire mesh or floor finishes.

Declaration of Performance

Sikasil®-670 Fire
66970536
2018.01 , ver. 3
1213

3.3 Air permeability

System Sikasil® -670 Fire has been tested in accordance with BS EN 1314-1 to provide the following results:

Pressure differential Pa	Air now through the Plain plasterboard specimen m ³ /h	Air flow through specimen with sealant m ³ /h
1	0.04	0.00
2	0.07	0.00
4	0.14	0.00
8	0.27	0.00
10	0.33	0.00
15	0.46	0.00
20	0.68	0.00
30	1.07	0.00
40	1.40	0.00
50	1.67	0.00
60	1.91	0.00
80	2.35	0.00
100	2.90	0.00

Table 3. Air permeability under positive air pressure on Indoor face

3.5 Dangerous substances

The applicant has presented a declaration that Sikasil®-670 Fire does not contain any substance of high concern with regards to REACH Regulations and are compliant with the requirements reference to <http://ec.europa.eu/enterprise/construction/cpd-ds/index.dm>

Confirmation has further been declared that all dangerous chemical substances ≥ 1.0 % w/w as well as all toxic, carcinogenic, toxic for reproduction and mutagenic chemical substances ≥ 0.1 % w/w (Status: 29. adaption-2004/73/EG -of the EU directive 67/548/EEC- classification, packaging and labelling of dangerous substances) are stated in the Sikasil®-670 Fire safety data sheets (according to 91/155/EEC including amendments) and have been considered for the classification of the products according to the directive 1999/45/EG (classification of preparations, including amendments).

All dangerous chemical substances are below the classification limits of 67/548/EEC

In addition to the specific clauses relating to dangerous substances contained in this European technical approval, there may be other requirements applicable to the products falling within its scope (e.g. transposed European legislation and national laws, regulations and administrative provisions). In order to meet the provisions of the Construction Products Regulation, these requirements need also to be complied with, when and where they apply

3.11 Durability and serviceability

Sikasil®-670 Fire has been tested in accordance with EOTA Technical Report - TR024 - Edition November 2006, for the type Z 1 use category specified in ETAG 026-3 (used as European Assessment Document, EAD), and the results of the tests have demonstrated suitability for penetration seals intended for use in internal conditions with humidity equal to or higher than 85% RH excluding temperatures below 0°C, without exposure to rain or UV.

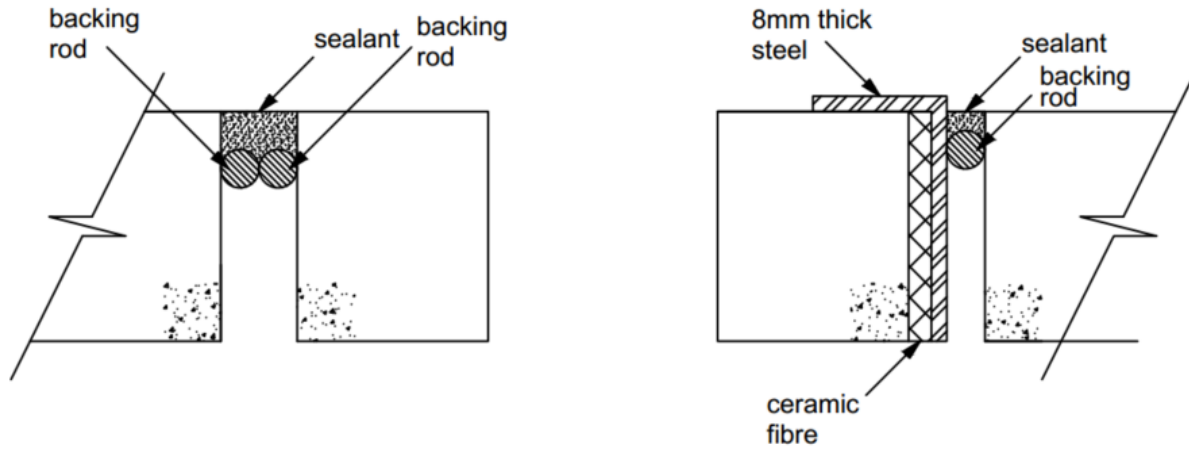
Declaration of Performance

Sikasil®-670 Fire
66970536
2018.01 , ver. 3
1213

Annex C Resistance to Fire Classification of Sikasil®-670 Fire

- C.1 Rigid floor constructions according to 1.2.1 with floor thickness of minimum 150 mm
- C.1.1. Linear joint or gap seal, horizontally orientated with sealant to the unexposed face

Construction details:



C.1.1.1

Sikasil®-670 Fire Linear Joint Seals in Rigid Floors 150 mm thick (min.)-				
Depth Sealant	Backing	Substrates	Seal Orientation	Classification
2:1 Ratio 2= width 1= depth	PE Backing Rod	AAC-AAC	Unexposed face	E240 EI120 - H - X - F - W 12-30
				E240 EI60 - H - X - F - W 31-50
		AAC-Steel		E240 EI30 - H - X - F - W 12-30
				E180 EI30 - H - X - F - W 31-50

Declaration of Performance
 Sikasil®-670 Fire
 66970536
 2018.01 , ver. 3
 1213

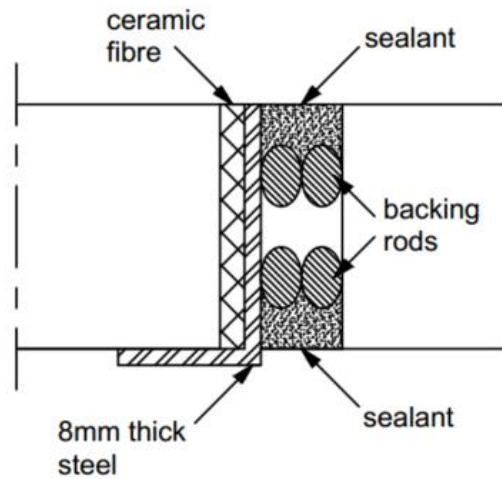
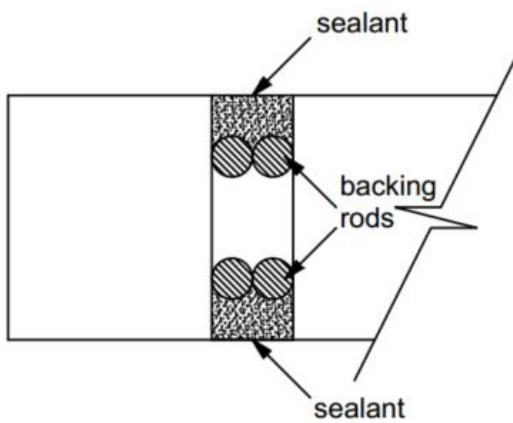
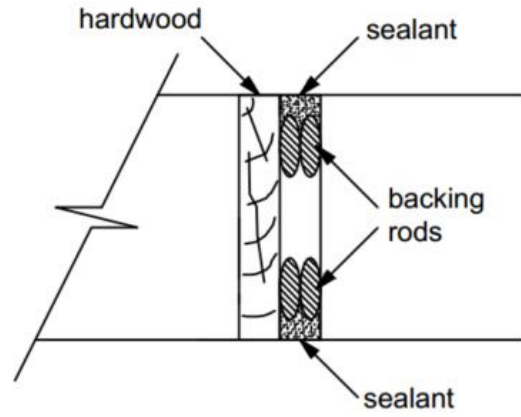
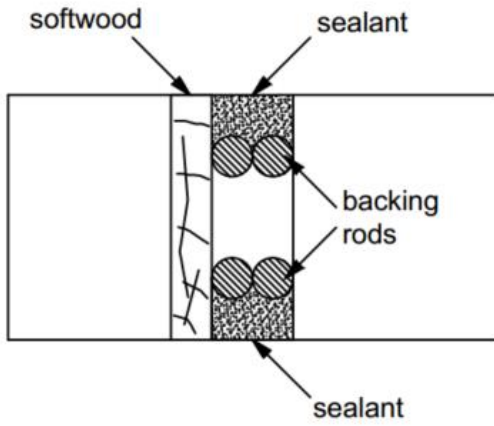
C.2 Rigid floor constructions according to 1.2.1 with wall thickness of minimum 150 mm

C.2.1 Linear joint or gap seal, vertically orientated with sealant to the unexposed and exposed face

Construction details:

Hardwood density: - minimum 680 kg/m³. Fixing centres 300mm

Softwood density: - minimum 410 kg/m³. Fixing centres 300mm



Declaration of Performance

Sikasil®-670 Fire
66970536
2018.01 , ver. 3
1213

C.2.1.1

Sikasil®-670 Fire Linear Joint Seals in Walls 150 mm thick (min.)				
Depth Sealant	Backing	Substrates	Seal orientation	Classification
2:1Ratio 2= width 1= depth	PE Backing Rod	AAC-AAC	Both faces	E240 EI180 - V- X- F - W 12-50
		AAC-Softwood		E180 EI120 - V- X - F - W 12
		AAC-Hardwood		EI120- V- X- F- W 13-49
		AAC-Steel		EI240 - V- X - F - W 50
				EI120- V -X- F- W 12-29
				EI240-V-X- F-W 30-50
				E240 EI60- V- X- F- W 12-29
				E240 EI90 - V- X - F - W 30-49
			E240 EI120 - V- X- F- W 50	


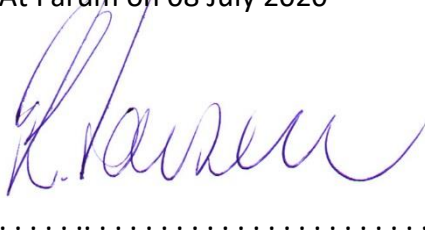
8 APPROPRIATE TECHNICAL DOCUMENTATION AND/OR - SPECIFIC TECHNICAL DOCUMENTATION

The performance of the product identified above is in conformity with the set of declared performance/s. This declaration of performance is issued, in accordance with Regulation (EU) No 305/2011, under the sole responsibility of the manufacturer identified above.

Signed for and on behalf of the manufacturer by:

Name : Anders Beier
Function: General Manager
At Farum on 08 July 2020

Name : Kristian Larsen
Function: Head Sealing and Bonding
At Farum on 08 July 2020

End of information as required by Regulation (EU) No 305/2011

RELATED DECLARATION OF PERFORMANCE


Product Name	Harmonised technical specification	DoP Number
Sikasil®-670 Fire	EN 15651-1:2012	43303384
Sikasil®-670 Fire	EN 15651-4:2012	90043108
Sikasil®-670 Fire	EN 15651-1:2012, EN 15651-4:2012, ETAG 026 - part 3:2011	020514030000001061213

Declaration of Performance

Sikasil®-670 Fire
66970536
2018.01 , ver. 3
1213



FULL CE MARKING

 14	
Sika Services AG, Zurich, Switzerland	
DoP No. 66970536	
ETAG 026:2011 / ETA 140474:2014	
Notified Body 1121	
Fire Stopping and Sealing Product, Linear joint and Gap Seal to reinstate the fire resistance performance of gaps and joints between rigid wall constructions, gaps in joints between rigid floor constructions	
Safety in case of fire	See Clause 3.1
Reaction to fire	Class F
Resistance to fire	See Clause 3.2 & Annex C
Air permeability	See Clause 3.3
Dangerous substances	See Clause 3.5
Airborne sound insulation	Rw(C,C _{tr})=38 (-2;-9)
Durability and serviceability	Z1 See Clause 3.11

3.1 Reaction to fire

System Sikasil®-670 Fire is classified 'F' in accordance with EN 13501-1.

3.2 Resistance to fire

System Sikasil®-670 Fire has been tested in accordance with BS EN 1366-4: 2006 based upon the test results and the field of direct application specified within EN 1366-4: 2006, the system Sikasil®-670 Fire has been classified in accordance with EN 13501-2, as given in Annex C

The seals may only be used in the elements of construction described in Annex C and against the substrates described in Annex C.

Provisions shall be taken such that floor joint seals cannot be stepped on e.g. by covering with wire mesh or floor finishes.

Declaration of Performance

Sikasil®-670 Fire
66970536
2018.01 , ver. 3
1213

3.3 Air permeability

System Sikasil®-670 Fire has been tested in accordance with BS EN 1314-1 to provide the following results:

Pressure differential Pa	Air now through the Plain plasterboard specimen m ³ /h	Air flow through specimen with sealant m ³ /h
1	0.04	0.00
2	0.07	0.00
4	0.14	0.00
8	0.27	0.00
10	0.33	0.00
15	0.46	0.00
20	0.68	0.00
30	1.07	0.00
40	1.40	0.00
50	1.67	0.00
60	1.91	0.00
80	2.35	0.00
100	2.90	0.00

Table 3. Air permeability under positive air pressure on Indoor face

3.5 Dangerous substances

The applicant has presented a declaration that Sikasil®-670 Fire does not contain any substance of high concern with regards to REACH Regulations and are compliant with the requirements reference to <http://ec.europa.eu/enterprise/construction/cpd-ds/index.dm>

Confirmation has further been declared that all dangerous chemical substances ≥ 1.0 % w/w as well as all toxic, carcinogenic, toxic for reproduction and mutagenic chemical substances ≥ 0.1 % w/w (Status: 29. adaption-2004/73/EG -of the EU directive 67/548/EEC- classification, packaging and labelling of dangerous substances) are stated in the Sikasil®-670 Fire safety data sheets (according to 91/155/EEC including amendments) and have been considered for the classification of the products according to the directive 1999/45/EG (classification of preparations, including amendments).

All dangerous chemical substances are below the classification limits of 67/548/EEC

In addition to the specific clauses relating to dangerous substances contained in this European technical approval, there may be other requirements applicable to the products falling within its scope (e.g. transposed European legislation and national laws, regulations and administrative provisions). In order to meet the provisions of the Construction Products Regulation, these requirements need also to be complied with, when and where they apply

3.11 Durability and serviceability

Sikasil®-670 Fire has been tested in accordance with EOTA Technical Report - TR024 - Edition November 2006, for the type Z 1 use category specified in ETAG 026-3 (used as European Assessment Document, EAD), and the results of the tests have demonstrated suitability for penetration seals intended for use in internal conditions with humidity equal to or higher than 85% RH excluding temperatures below 0°C, without exposure to rain or UV.

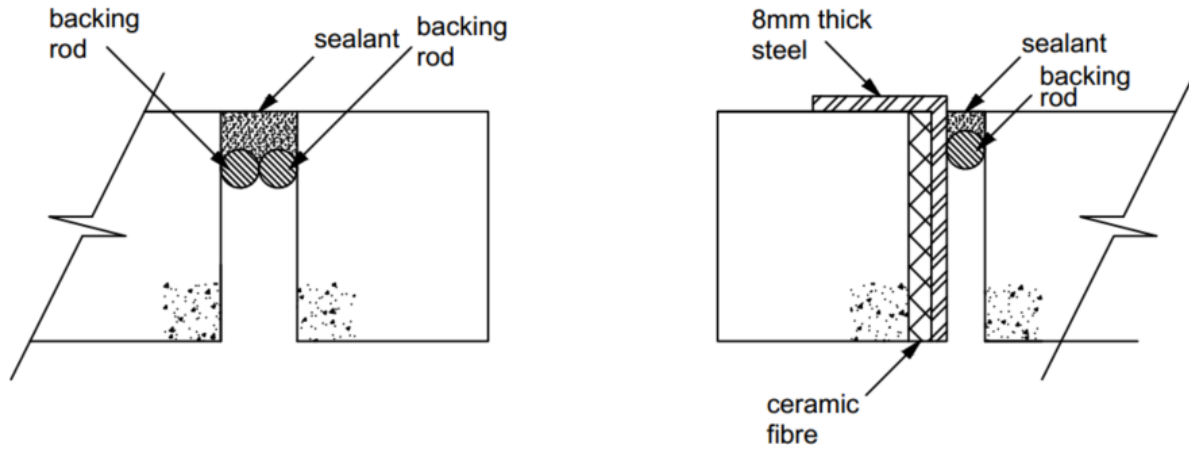
Declaration of Performance

Sikasil®-670 Fire
66970536
2018.01 , ver. 3
1213

Annex C Resistance to Fire Classification of Sikasil®-670 Fire

- C.1 Rigid floor constructions according to 1.2.1 with floor thickness of minimum 150 mm
- C.1.1. Linear joint or gap seal, horizontally orientated with sealant to the unexposed face

Construction details:



C.1.1.1

Sikasil-670 Fire Linear Joint Seals in Rigid Floors 150 mm thick (min.)-				
Depth Sealant	Backing	Substrates	Seal Orientation	Classification
2:1 Ratio 2= width 1= depth	PE Backing Rod	AAC-AAC	Unexposed face	E240 EI120 - H - X - F - W 12-30
				E240 EI60 - H - X - F - W 31-50
		AAC-Steel		E240 EI30 - H - X - F - W 12-30
				E180 EI30 - H - X - F - W 31-50

C.2 Rigid floor constructions according to 1.2.1 with wall thickness of minimum 150 mm

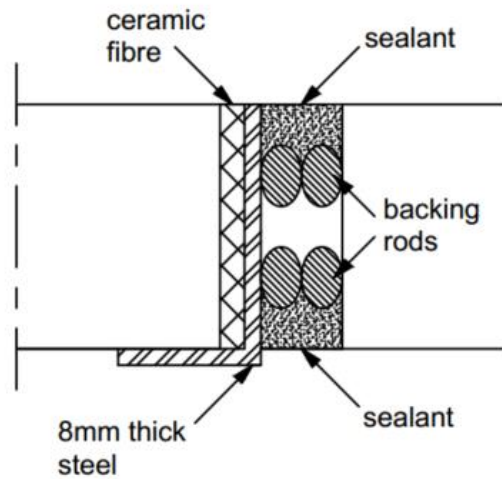
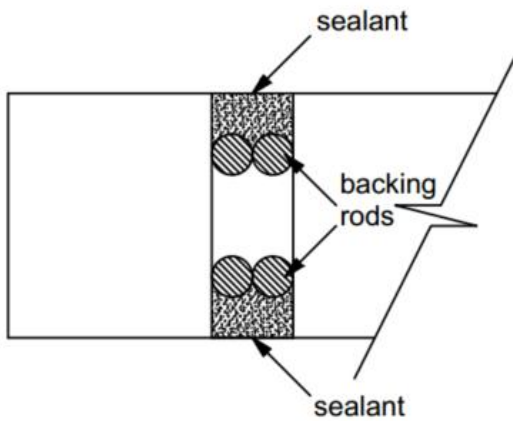
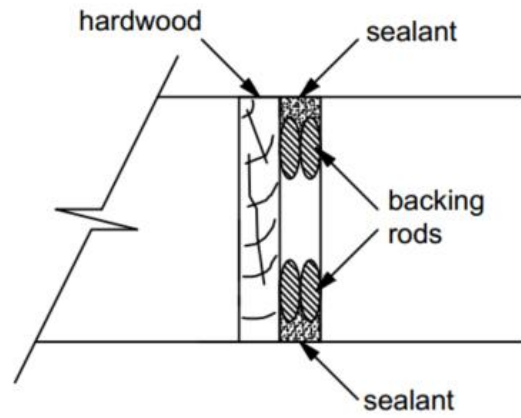
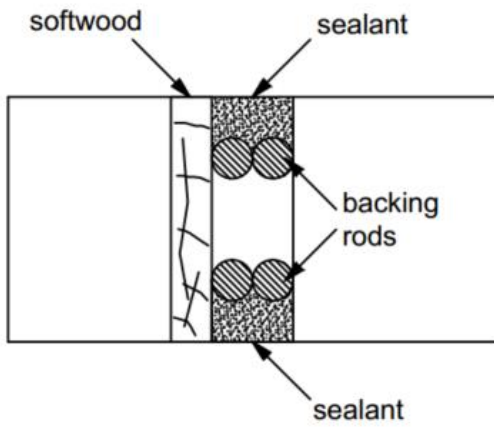
C.2.1 Linear joint or gap seal, vertically orientated with sealant to the unexposed and exposed face

Construction details:

Hardwood density: - minimum 680 kg/m³. Fixing centres 300mm
 Softwood density: - minimum 410 kg/m³. Fixing centres 300mm

Declaration of Performance

Sikasil®-670 Fire
 66970536
 2018.01 , ver. 3
 1213




C.2.1.1

Sikasil®-670 Fire Linear Joint Seals in Walls 150 mm thick (min.)				
Depth Sealant	Backing	Substrates	Seal orientation	Classification
2:1Ratio 2= width 1= depth	PE Backing Rod	AAC-AAC	Both faces	E240 EI180 - V- X- F- W 12-50
		AAC-Softwood		E180 EI120 - V- X- F- W 12
		AAC-Hardwood		EI120- V- X- F- W 13-49
		AAC-Steel		EI240 - V- X- F- W 50
				EI120- V- X- F- W 12-29
				EI240-V-X- F-W 30-50
				E240 EI60- V- X- F- W 12-29
				E240 EI90 - V- X- F- W 30-49
		E240 EI120 - V- X- F- W 50		

<http://dop.sika.com>

Declaration of Performance
 Sikasil®-670 Fire
 66970536
 2018.01 , ver. 3
 1213

CE marking to be placed on the label

 14
Sika Services AG, Zurich, Switzerland
DoP No. 66970536
ETAG 026:2011 / ETA 140474:2014
Notified Body 1121
Fire Stopping and Sealing Product, Linear joint and Gap Seal to reinstate the fire resistance performance of gaps and joints between rigid wall constructions, gaps in joints between rigid floor constructions
For details see accompanying documents.
http://dop.sika.com

ECOLOGY, HEALTH AND SAFETY INFORMATION (REACH)

For information and advice on the safe handling, storage and disposal of chemical products, users shall refer to the most recent Safety Data Sheet (SDS) containing physical, ecological, toxicological and other safety related data.

LEGAL NOTE

Any information or suggestions for use concerning Sika's products, which we either in writing or orally have given buyers or endusers of the product have been given in good faith based on our own experiences and based of approved praxis and the technological and scientific knowledge on the time of giving such suggestions and information, which are given without any type of guarantees, and which do not lead to any further responsibility from Sika Danmark A/S, besides what is stated in the sales agreement in question. The buyer or end-user should themselves investigate or otherwise make sure that our products are suitable for the use in question and further make sure that the products are kept and used correct and in agreement with the published rules and considering the actual conditions in order to avoid damages or less satisfactory results. Any order is accepted and any deliverance is affected according to the general terms of sales and delivery from Sika Danmark A/S, which are considered known and accepted, and which could be handed out when asked for. Our catalogues are not up-dated automatically. The present product data sheet is only for use in Denmark. Values stated in the present product data sheet should be seen as recommended, unless stated otherwise.

Declaration of Performance

Sikasil®-670 Fire
66970536
2018.01 , ver. 3
1213

11/12

BUILDING TRUST



Sika Danmark A/S
Hirsemarken 5
3520 Farum

www.sika.dk

Declaration of Performance
Sikasil®-670 Fire
66970536
2018.01 , ver. 3
1213

12/12

BUILDING TRUST

